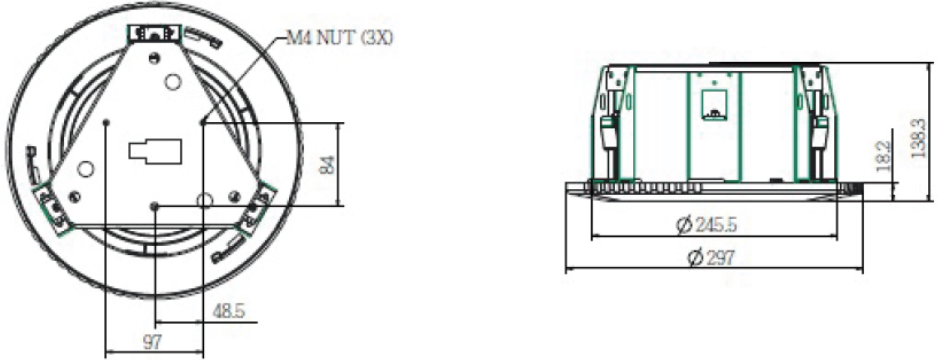


AM-103

Recessed-mount Bracket



Technical Specifications

| | |
|---------------|--|
| Model: | AM-103 |
| Material | Bracket: SPCC, Housing: PC Cover: PC + ABS |
| Box Dimension | Length: 375 Width: 364 Height: 208 (mm) |
| Color | White |
| Weight | 1800 g |
| Drawing |  |

P/N No.: 900014000G