



# FD816CA-HF2

Fisheye Network Camera

2MP • 360° Surround View • Pixel Calculator • Compact Size • Recessed Mount • 3DNR • Smart Stream • WDR Enhanced

- 30 fps @ 1920x1080
- Real-time H.264, MJPEG Compression (Dual Codec)
- WDR Pro (100dB) to Provide Extreme Visibility in High Light Contrast Scenes
- SNV (Supreme Night Visibility) for Low Light Conditions
- Smart Stream II to Optimize Bandwidth Efficiency
- 3D Noise Reduction for Low-light Conditions
- 70° Tilt Lens
- Built-in IEEE 802.3af Compliant PoE
- Trend Micro IoT Security
- VIVOCLOUD App & Portal for 24/7 Surveillance (manually upload VIVOCLOUD VADP package)



# Technical Specifications

## System Information

Model	FD816CA-HF2
CPU	Multimedia SoC (System-on-Chip)
Flash	128 MB
RAM	256 MB

## Camera Features

Image Sensor	1/2.7" Progressive CMOS
Max. Resolution	1920x1080 (2MP)
Lens Type	Fixed-focal
Focal Length	f = 2.8 mm
Aperture	F1.8
Auto-iris	Fixed iris
Field of View	122° (Horizontal) 66° (Vertical) 142° (Diagonal)
Shutter Time	1/5 sec. to 1/32,000 sec.
WDR Technology	WDR Pro
Minimum Illumination	0.15 lux @ F1.8 (Color) < 0.01 lux @ F1.8 (B/W)
Pan/Tilt/Zoom Functionalities	ePTZ: 4x digital zoom (4x on IE plug-in)
Storage	Seamless Recording to MicroSD/SDHC/SDXC card

## Video

Video Compression	H.264, MJPEG
Maximum Frame Rate	30 fps@ 1920x1080
Maximum Streams	3 simultaneous streams
S/N Ratio	66 dB
Dynamic Range	100 dB
Video Streaming	Adjustable resolution, quality and bit rate control, Smart Stream II
Image Settings	General settings: video title and time stamp overlay, video orientation (flip, mirror, rotation), day/night settings; Image settings: white balance, image adjustment (brightness, contrast, saturation, sharpness, gamma curve), defog, 3DNR; Exposure: BLC, exposure control (exposure level, exposure time, gain control), AE speed adjustment, WDR; Privacy mask; Scheduled profile settings

## Audio

Audio Capability	One-way Audio
Audio Compression	G.711, G.726
Audio Interface	Built-in microphone
Effective Range	5 meters

## Network

Users	Live viewing for up to 10 clients
Security	Access list, digest authentication, HTTPS, IEEE 802.1x, password protection, Trend Micro IoT Security, user access log, user account management
Protocols	802.1X, ARP, CIFS/SMB, DDNS, DHCP, DNS, FTP, HTTP, HTTPS, ICMP, IGMP, IPv4, IPv6, NTP, PPPoE, QoS (CoS/DSCP), RTSP/RTP/RTCP, SMTP, SNMP, SSL, TCP/IP, TLS, UDP, UPnP
Interface	10 Base-T/100 Base-TX Ethernet (RJ-45) *It is highly recommended to use standard CAT5e & CAT6 cables which are compliant with the 3P/ETL standard.
ONVIF	Profile G, S supported, specification available at <a href="http://www.onvif.org">www.onvif.org</a>

## Solution Integration

Video Motion Detection	Five-window video motion detection
------------------------	------------------------------------

VADP Package	Trend Micro IoT Security (1-year free trial)
--------------	--

### Alarm and Event

Event Trigger	Audio detection, camera tampering detection, manual trigger, motion detection, periodical trigger, recording notification, SD card life expectancy, system boot
Event Action	Event notification via email, HTTP, FTP, NAS server, SD card File upload via email, HTTP, FTP, NAS server, SD card

### General

Connectors	RJ-45 cable connector for 10/100Mbps Network/PoE connection
LED Indicator	System power and status indicator
Power Input	IEEE 802.3af PoE Class 2
Power Consumption	Max. 3.3 W
Dimensions	Ø 60 x 115 mm
Weight	138 g
Certifications	EMC: CE (EN55032 Class B, EN55024), FCC (FCC Part 15 Subpart B Class B), VCCI (V-3/2015.04 Class B, V-4/2012.04); Safety: UL (UL60950-1), LVD (IEC/EN 60950-1)
Operating Temperature	Starting Temperature: 0°C ~ 45°C (32°F~ 113°F) Working Temperature: -10°C ~ 45°C (14°F~ 113°F)
Humidity	90%
Warranty	36 months

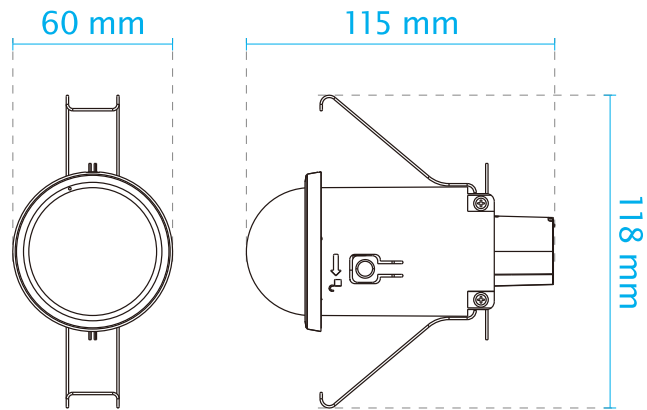
### System Requirements

Operating System	Microsoft Windows 10/8/7 Mac 10.12 (Chrome only)
Web Browser	Chrome 58.0 or above Internet Explorer 10/11
Other Players	VLC: 1.1.11 or above

### Included Accessories

Packing Contents	Quick installation guide
------------------	--------------------------

## Dimensions



## Compatible Accessories

### Mounting Kits



AM-526

Pendant Mount Adapter (3/4" NPT Female Connector)

### Dome Covers



AC-229

IK10 Transparent cover assembly