



FD8369A-V

Fixed Dome Network Camera



2MP · 30M IR · IP66 · IK10 · Smart Stream II · SNV · Defog · VIVOCloud

VIVOTEK's FD8369A-V is an easy-to-use fixed dome network camera specifically designed for outdoor security applications, with a 2MP sensor enabling a viewing resolution of 1920x1080 at a smooth 30 fps. Dynamic and highly adaptable, the FD8369A-V is an all-in-one camera capable of capturing high quality video at high resolutions of up to 2 Megapixels.

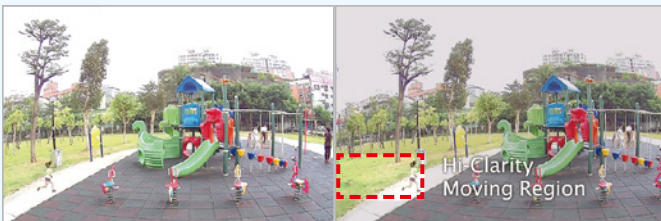
The FD8369A-V features VIVOTEK's sophisticated Smart Stream II technology, allowing the camera to optimize image quality for desired regions, and thus ensure maximum efficiency of bandwidth usage and savings of up to 50% on bandwidth and storage requirements.

In order to adapt to constantly changing outdoor lighting conditions, the FD8369A-V features a removable IR-cut filter as well as IR illuminators effective up to 30M for superior image quality around the clock. For protection against harsh outdoor environments, the camera is encased in a weather-proof IP66-rated housing, making it impervious to rain and dust. The robustness of the FD8369A-V is further strengthened by the adoption of rugged IK10 design housing.

Incorporating a number of advanced features standard for VIVOTEK cameras, including video rotation, defog, a dedicated MicroSD/SDHC/SDXC card slot, and VIVOTEK's 32-channel recording software, the FD8369A-V is the ideal solution for your outdoor surveillance needs.

Key Features

- 2-Megapixel CMOS Sensor
- 30 fps @ 1920x1080
- Real-time H.264, MJPEG Compression (Dual Codec)
- Removable IR-cut Filter for Day & Night Function
- Built-in IR Illuminators, Effective up to 30 Meters
- Built-in 802.3af Compliant PoE
- Built-in MicroSD/SDHC/SDXC Card Slot for On-board Storage
- Supports ONVIF Standard to Simplify Integration and Enhance Interoperability
- Weather-proof IP66-rated and Vandal-proof IK10-rated Housing
- Smart Stream II to Optimize Bandwidth Efficiency
- 3D Noise Reduction
- Smart IR Technology to Avoid Overexposure
- SNV (Supreme Night Visibility) for Low Light Conditions
- VIVOCloud Mobile App
- Trend Micro IoT Security within Standard Warranty Period



Without Smart Stream II

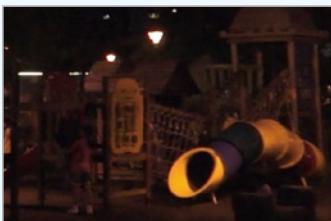
With Smart Stream II



Airport



Train Station



Ordinary Camera



VIVOTEK SNV Camera



Entrance



Campus

Technical Specifications

Model	FD8369A-V
System Information	
CPU	Multimedia SoC (System-on-Chip)
Flash	128MB
RAM	256MB
Camera Features	
Image Sensor	1/2.9" Progressive CMOS
Maximum Resolution	1920x1080 (2MP)
Lens Type	Fixed-focal
Focal Length	f = 2.8 mm
Aperture	F1.8
Field of View	114° (Horizontal) 61° (Vertical) 132° (Diagonal)
Shutter Time	1/5 sec. to 1/32,000 sec.
WDR Technology	WDR Enhanced
Day/Night	Removable IR-cut filter for day & night function
Minimum Illumination	0.06 Lux @ F1.8 (Color) 0.01 Lux @ F1.8 (B/W)
Pan/Tilt/Zoom Functionalities	ePTZ: 48x digital zoom (4x on IE plug-in, 12x built-in)
IR Illuminators	Built-in IR illuminators, effective up to 30 meters with Smart IR IR LED*8
On-board Storage	Slot type: MicroSD/SDHC/SDXC card slot Seamless Recording
Video	
Compression	H.264 & MJPEG
Maximum Frame Rate	30 fps @ 1920x1080 In both compression modes
Maximum Streams	4 simultaneous streams
S/N Ratio	68.5 dB
Dynamic Range	69.4 dB
Video Streaming	Adjustable resolution, quality and bitrate Smart Stream II
Image Settings	Time stamp, text overlay, flip & mirror Configurable brightness, contrast, saturation, sharpness, white balance, exposure control, gain, backlight compensation, privacy masks Scheduled profile settings, 3D noise reduction, video rotation, defog
Network	
Users	Live viewing for up to 10 clients
Protocols	IPv4, IPv6, TCP/IP, HTTP, HTTPS, UPnP, RTSP/RTP/RTCP, IGMP, SMTP, FTP, DHCP, NTP, DNS, DDNS, PPPoE, CoS, QoS, SNMP, 802.1X, UDP, ICMP, ARP, SSL, TLS, CIFS/SMB
Interface	10 Base-T/100 BaseTX Ethernet (RJ-45) *It is highly recommended to use standard CAT5e & CAT6 cables which are compliant with the 3P/ETL standard.
ONVIF	Supported, specification available at www.onvif.org

Intelligent Video

Video Motion Detection	Five-window video motion detection
Alarm and Event	
Alarm Triggers	Motion detection, manual trigger, periodical trigger, system boot, recording notification, camera tampering detection
Alarm Events	Event notification using HTTP, SMTP, FTP, NAS server and MicroSD card File upload via HTTP, SMTP, FTP, NAS server and MicroSD card

General

Connectors	RJ-45 for Network/PoE connection
LED Indicator	System power and status indicator
Power Input	IEEE 802.3af PoE Class 0
Power Consumption	Max: 10.5 W
Dimensions	Ø 129 x 93 mm
Weight	Net: 590.6 g
Casing	Weather-proof IP66-rated housing Vandal-proof IK10-rated housing
Safety Certifications	CE, LVD, FCC Class A, VCCI, C-Tick, UL
Operating Temperature	FD8369A-V: Starting Temperature: -10°C ~ 50°C (14°F~ 122°F) Working Temperature: -20°C ~ 50°C (-4°F~ 122°F) FD8369A-V (OP-40): Starting Temperature: -10°C ~ 50°C (14°F~ 122°F) Working Temperature: -40°C ~ 50°C (-40°F~ 122°F)
Humidity	90%
Warranty	24 months

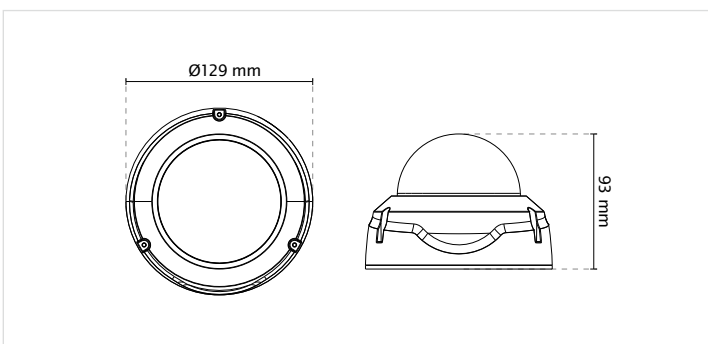
System Requirements

Operating System	Microsoft Windows 8/7
Web Browser	Internet Explorer 10/11 Chrome version 58.0.3029 or above
Other Players	VLC: 1.1.11 or above QuickTime: 7 or above

Included Accessories

Others	Quick installation guide, alignment sticker, screw pack
--------	---

Dimensions



Compatible Accessories

Mounting Kits



AM-21A
L-shape Bracket



AM-528
Mounting Adapter



AM-51D
Adapter Ring

Cloud-based Solution



Ordering Information

Model	Description	Part Number
FD8369A-V	2MP, 30M IR, IP66, IK10, Fixed-focal, Operating Temp. -20°C ~ 50°C	100144800G
		100166500G, US
FD8369A-V (Black)	2MP, 30M IR, IP66, IK10, Fixed-focal, Operating Temp. -20°C ~ 50°C, Black	100192000G
FD8369A-V (OP-40)	2MP, 30M IR, IP66, IK10, Fixed-focal, Operating Temp. -40°C ~ 50°C	100177900G