



**S** series **FE9181-H**  
**S** series **FE9381-EHV**  
Fisheye Network Camera



H.265 · 5MP · 360° Surround View · Smart Stream II · WDR Pro · 3DNR · IP66 · IK10 · EN50155 Compliance · Pixel Calculator · Defog

VIVOTEK's FE9181-H and FE9381-EHV are two unique H.265 fisheye fixed dome network cameras, both featuring a detailed 5-Megapixel CMOS sensor that produces superb image clarity. By employing H.265 compression technology and VIVOTEK's Smart Stream II technology, these cameras can reduce both bandwidth and storage consumption by up to 80%\* while retaining the highest standard of image quality.

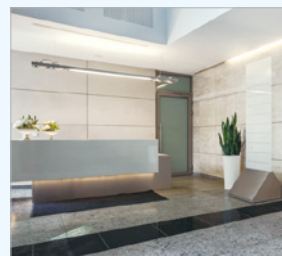
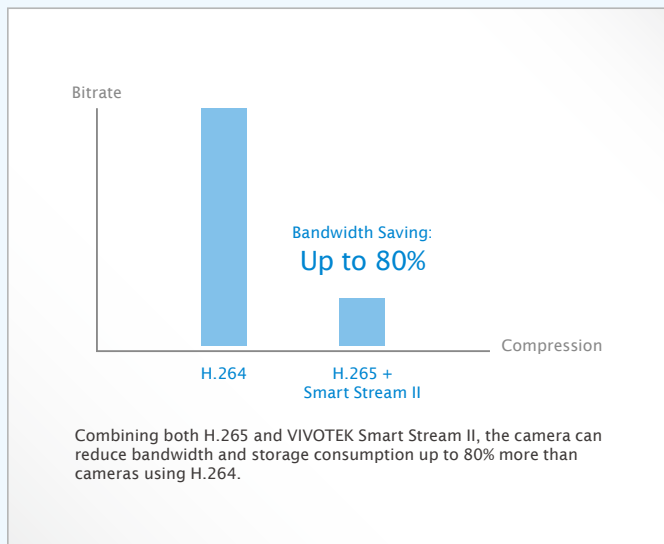
Equipped with a fisheye lens for 180° panoramic view (wall mount) or 360° surround view (ceiling/floor mount) with zero blind spots, the cameras are able to provide coverage of wide, open areas, such as airports, shopping malls, retail stores, offices and more.

The FE9181-H and the FE9381-EHV are both equipped with a removable IR-cut filter and WDR Pro technology, empowering the cameras to maintain optimal image quality around the clock and unparalleled visibility in high-contrast lighting environments. Moreover, the FE9381-EHV is designed with full EN50155 compliance, vandal-proof IK10-rated, and weather-proof IP66-rated housing, ensuring that the camera can withstand shock, vibration, humidity, dust, and temperature fluctuations, and maintain stable and reliable video capture during vehicle movement.

\* Depending on scene being monitored.

### Key Features

- H.265 Compression Technology
- 5-Megapixel CMOS Sensor
- 30 fps @ 1920x1920
- 1.47 mm Fisheye Lens for 180° Panoramic View and 360° Surround View
- Removable IR-cut Filter for Day & Night Function
- WDR Pro for Unparalleled Visibility in High Contrast Environments
- Smart Stream II to Optimize Bandwidth Efficiency
- EN50155 Compliance for Professional Mobile Surveillance (FE9381-EHV)
- Vandal-proof IK10-rated and Weather-proof IP66-rated Housing (FE9381-EHV)
- ePTZ for Data Efficiency
- Built-in 802.3af Compliant PoE
- Support Client Side Dewarping
- Pixel Calculator for Image Clarity Measurement



Lobby



Shopping Mall



Retail



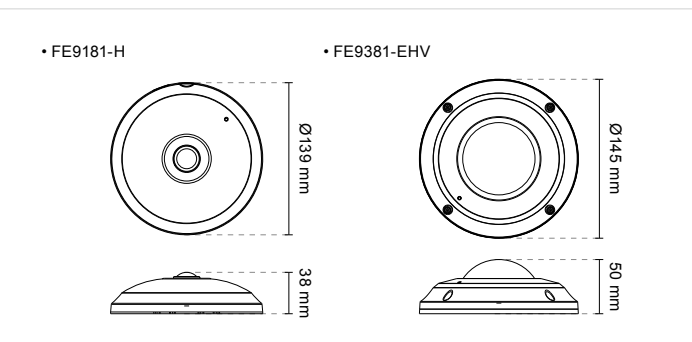
Airport

## Technical Specifications

<b>Model</b>	FE9181-H: WDR Pro FE9381-EHV: WDR Pro, IP66, IK10, EN50155, Extreme Weather
<b>System Information</b>	
<b>CPU</b>	Multimedia SoC (System-on-Chip)
<b>Flash</b>	128MB
<b>RAM</b>	512MB
<b>Camera Features</b>	
<b>Image Sensor</b>	1/1.8" Progressive CMOS in 3096x2094
<b>Maximum Resolution</b>	1920x1920
<b>Lens Type</b>	Fixed-focal
<b>Focal Length</b>	f = 1.47 mm
<b>Aperture</b>	F2.2
<b>Field of View</b>	180° (Horizontal) 180° (Vertical) 180° (Diagonal)
<b>Shutter Time</b>	1/5 sec. to 1/32,000 sec.
<b>WDR Technology</b>	WDR Pro
<b>Day/Night</b>	Removable IR-cut filter for day & night function
<b>Minimum Illumination</b>	0.18 Lux @ F2.2 (Color) 0.001 Lux @ F2.2 (B/W)
<b>Pan/Tilt/Zoom Functionalities</b>	ePTZ: 12x digital zoom (12x on IE plug-in)
<b>On-board Storage</b>	Slot type: MicroSD/SDHC/SDXC card slot Seamless Recording
<b>Video</b>	
<b>Compression</b>	H.265, H.264, MJPEG
<b>Maximum Frame Rate</b>	H.265 & H.264: 30 fps @ 1920x1920 MJPEG: 12 fps @ 1920x1920
<b>Maximum Streams</b>	4 simultaneous streams
<b>S/N Ratio</b>	42.3 dB
<b>Dynamic Range</b>	100 dB
<b>Video Streaming</b>	Adjustable resolution, quality and bitrate Smart Stream II
<b>Image Settings</b>	Time stamp, text overlay, flip & mirror; Configurable brightness, contrast, saturation, sharpness, white balance, exposure control, gain, backlight compensation, privacy masks; Scheduled profile settings, 3D noise reduction; Adjustable image size, quality and bit rate, defog; Pixel calculator
<b>Audio</b>	
<b>Audio Capability</b>	Two-way audio
<b>Compression</b>	G.711, G.726
<b>Interface</b>	Built-in microphone External microphone input External line output
<b>Effective Range</b>	5 meters
<b>Network</b>	
<b>Users</b>	Live viewing for up to 10 clients
<b>Protocols</b>	IPv4, IPv6, TCP/IP, HTTP, HTTPS, UPnP, RTSP/RTP/RTCP, IGMP, SMTP, FTP, DHCP, NTP, DNS, DDNS, PPPoE, CoS, QoS, SNMP, 802.1X, UDP, ICMP, ARP, SSL, TLS, CIFS/SMB
<b>Interface</b>	10 Base-T/100 BaseTX Ethernet (RJ-45) *It is highly recommended to use standard CAT5e & CAT6 cables which are compliant with the 3P/ETL standard.
<b>ONVIF</b>	Supported, specification available at <a href="http://www.onvif.org">www.onvif.org</a>
<b>Intelligent Video</b>	
<b>Video Motion Detection</b>	Five-window video motion detection

<b>Alarm and Event</b>	
<b>Alarm Triggers</b>	Motion detection, manual trigger, digital input, periodical trigger, system boot, recording notification, camera tampering detection, audio detection, MicroSD card life expectancy
<b>Alarm Events</b>	Event notification using digital output, HTTP, SMTP, FTP, NAS server and MicroSD Card File upload via HTTP, SMTP, FTP, NAS server and MicroSD Card
<b>General</b>	
<b>Connectors</b>	RJ-45 cable connector for Network/PoE connection Audio input*1 Audio output*1 DC 12V power input*1 Digital input*1 Digital output*1
<b>LED Indicator</b>	System power and status indicator
<b>Power Input</b>	DC 12V IEEE 802.3af PoE Class 0
<b>Power Consumption</b>	FE9181-H: Max. 5.5 W FE9381-EHV: Max. 13 W
<b>Dimensions</b>	FE9181-H: Ø 139 x 38 mm FE9381-EHV: Ø 145 x 50 mm
<b>Weight</b>	FE9181-H: 345 g FE9381-EHV: 548 g
<b>Casing</b>	FE9381-EHV: Weather-proof IP66-rated housing Vandal-proof IK10-rated metal housing
<b>Safety Certifications</b>	CE, LVD, FCC Class A, VCCI, C-Tick, UL, EN50155 (FE9381-EHV)
<b>Operating Temperature</b>	FE9181-H: Starting Temperature: 0°C ~ 50°C (32°F ~ 122°F) Working Temperature: -10°C ~ 50°C (14°F ~ 122°F) FE9381-EHV: Starting Temperature: -25°C ~ 55°C (-13°F ~ 131°F) Working Temperature: -40°C ~ 55°C (-40°F ~ 131°F)
<b>Humidity</b>	90%
<b>Warranty</b>	36 months
<b>System Requirements</b>	
<b>Operating System</b>	Microsoft Windows 7/8
<b>Web Browser</b>	Mozilla Firefox 7~43 (streaming only) Internet Explorer 10/11
<b>Other Players</b>	VLC: 1.1.11 or above Quicktime: 7 or above
<b>Included Accessories</b>	
<b>CD</b>	User's manual, quick installation guide, Shepherd, VAST
<b>Others</b>	Quick installation guide, warranty card, alignment sticker, desiccant bag, screw driver, screws pack, I/O cable, mounting bracket, software CD

## Dimensions



## Compatible Accessories

### Mounting Kits



**AM-514**  
Adapter Ring for  
FE9181-H



**AM-520**  
Mounting Adapter