



## **Vivotek** **IP Surveillance System**

# **Wireless** **Network Camera IP3137**

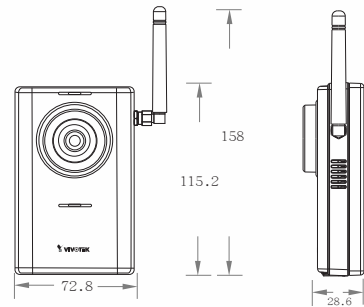
The Vivotek IP3137 is a compact-size, easy-to-use and affordable wireless network camera ideal for home/office surveillance. With a built-in web server, IP3137 provides an easy user interface for remote access to receive the optimal synchronized video and audio from anywhere anytime over the Internet with the popular Internet Explorer browser, exactly as easy as surfing any regular web sites. More than just a high-performance network camera, IP3137 also possesses many advanced features to provide the adequate personal or SOHO applications/solutions, such as web attraction, remote surveillance, home/business security, video conference, etc....

### **Features**

- MPEG4 compression engine
- Optimal synchronization of audio & video
- 802.11g Wireless LAN and WEP & WPA Support
- UPnP & dynamic IP support
- Intelligent motion detection
- 4X digital zoom
- Customizable internet homepage
- Adjustable network bandwidth
- Free-bundled 16-CH audio/video recording software

# Technical Specifications

## IP3137



### Model

- IP3137 CMOS

### System

- CPU: Trimedia PNX1300
- RAM: 16MB SDRAM
- ROM: 2MB FLASH ROM

### Networking

- Protocol  
TCP/IP, HTTP, SMTP, FTP, DDNS, UPnP, Telnet, NTP, DNS and DHCP
- Ethernet  
10 baseT or 100 baseT Fast Ethernet auto negotiation  
802.11g wireless LAN with WEP & WPA support

### Video

- Algorithm  
MPEG4(short header mode) for streaming video  
JPEG for still image
- Features  
Adjustable image size, quality and bit-rate  
Time stamp and text overlay  
3 motion detection windows
- Resolution  
Up to 30/25 frames at 160x120  
Up to 30/25 frames at 320x240  
Up to 10 frames at 640x480

### Camera Specification

- 1/4" color CMOS sensor  
640x480  
1.5Lux / F2.0  
AGC, AWB, AES  
Electronic shutter: 1/60~1/15,000sec.

### Lens

- Fixed focal with fine tuning, 4.0mm, F2.0

### Audio

- 24kbps
- Supporting audio mute

### Microphone

- Omni-directional
- Frequency  
50 ~ 16000Hz
- S/N ratio  
More than 60dB

### LED Indicator

- Dual color system status indicator

### Dimension

- Depth: 28.6mm
- Width: 72.8mm
- Height: 115.2mm + Antenna = 158mm

### Weight

- NET. 185g

### Power

- Input: 100-240VAC, 50/60Hz, 0.5A
- Output: 5VDC, 2A

### Operating Environment

- Temperature: 0~50°C (32~122°F)
- Humidity: 95% RH

### EMI & Safety

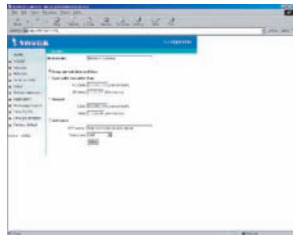
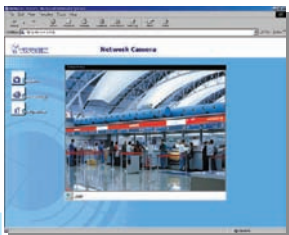
- CE, FCC

### Viewing System Requirement

- Operating system: Microsoft Windows 98 SE, ME, 2000, XP
- Browser: Internet Explorer 5.X or above

### Free Bundled ST3402 Software

- View and record live video from up to 16 cameras simultaneously
- Recording for the synchronized video & audio
- Manual, event-driven and schedule recording mode
- Zero waiting database searching and event preview
- Hard disk storage indicator and alarm
- Remote indicator and control for D/I and D/O
- High compression ratio and storage capacity
- \* 16-channel commercial version is available



All specifications are subject to change without notice.  
All other trademarks are owned by their respective companies.



VIVOTEK INC.  
6F, No. 192, Lien-Cheng Rd.,  
Chung-Ho, Taipei County, Taiwan  
Tel: +886 2 82455282  
E-mail: sales@vivotek.com  
Web: www.vivotek.com

