

IP7153/7154

Fixed Network Camera

Day&Night • Progressive CCD • PoE



VIVOTEK's IP7153 / IP7154, equipped with a progressive scan CCD sensor, deliver superior-quality, crystal-clear video for professional surveillance applications such as monitoring banks, airports, parking lots, traffic control, etc.

It can capture razor-sharp, high-resolution images of moving objects that traditional interlaced-scan techniques cannot achieve. Furthermore, working in combination with the high-performance CCD sensor is a removable IR-cut filter that can deliver high-quality images even under infrared illuminated conditions. With our self-developed VIVOTEK VVTK-1000 SoC, the camera simultaneously delivers dual streams for real-time monitoring.

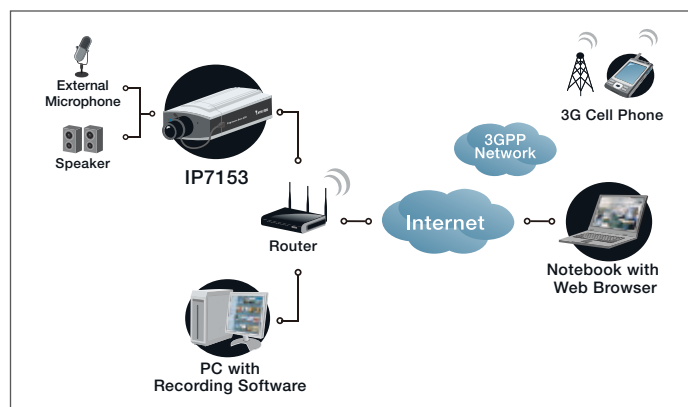
The IP7153/IP7154 also comes with many useful functionalities that give users flexibilities such as built-in 802.3af compliant PoE (IP7153), 802.11b/g WLAN connection (IP7154), multi-lingual user interface, vari-focal CS-mount lens, two-way audio via SIP protocol, and digital I/O for external sensor and alarm. The VIVOTEK IP7153/IP7154 is by far the best choice for a high-performance, professional surveillance system.

Features

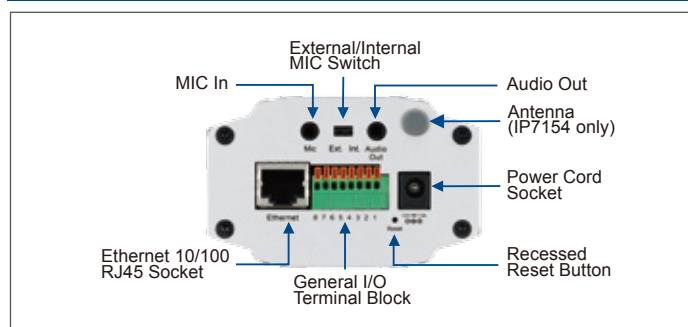
- > Sony Progressive Scan CCD Sensor in VGA Resolution
- > 2.9 ~ 8.2 mm Vari-focal, Auto-iris Lens
- > Removable IR-cut Filter for Day & Night Function
- > Real-time MPEG-4 and MJPEG Compression (Dual Codec)
- > Dual Streams Simultaneously
- > 3GPP Mobile Surveillance
- > Built-in 802.3af Compliant PoE (IP7153)
- > Built-in 802.11b/g WLAN (IP7154)
- > Two-way Audio via SIP Protocol
- > Digital I/O for External Sensor and Alarm
- > RS-485 Interface for Scanners, Pan/Tilts

Models	<ul style="list-style-type: none"> · IP7153 (PoE) · IP7154 (WLAN) 	Power	<ul style="list-style-type: none"> · 12V DC · 24V AC · Power consumption: Max. 4 W · 802.3af compliant Power-over-Ethernet (IP7153)
System	<ul style="list-style-type: none"> · CPU: VVTK-1000 SoC · Flash: 8MB · RAM: 64MB · Embedded OS: Linux 2.4 	Approvals	<ul style="list-style-type: none"> · CE, LVD, FCC, VCCI, C-Tick
Lens	<ul style="list-style-type: none"> · CS-mount, vari-focal, f = 2.9 ~ 8.2 mm, F1.0, auto-iris · IR Corrected · Removable IR-cut filter for day & night function 	Operating Environments	<ul style="list-style-type: none"> · Temperature: 0 ~ 50 °C (32 ~ 122 °F) · Humidity: 20% ~ 80% RH
Angle of View	<ul style="list-style-type: none"> · 26.7° ~ 69.0° (horizontal) · 20.0° ~ 51.0° (vertical) 	Viewing System Requirements	<ul style="list-style-type: none"> · OS: Microsoft Windows 2000/XP/Vista · Browser: Mozilla Firefox, Internet Explorer 6.x or above · Cell phone: 3GPP player · Real Player: 10.5 or above · Quick Time: 6.5 or above
Shutter Time	<ul style="list-style-type: none"> · 1/5 sec. to 1/15,000 sec. 	Installation, Management, and Maintenance	<ul style="list-style-type: none"> · RS-485 interface for scanners, pan/tilts · Installation Wizard 2 · 32-CH ST7501 central management software · Supports firmware upgrade
Image Sensor	<ul style="list-style-type: none"> · SONY 1/4" progressive scan CCD sensor in VGA resolution 	Applications	<ul style="list-style-type: none"> · SDK available for application development and system integration
Minimum Illumination	<ul style="list-style-type: none"> · 0.2 Lux / F1.0 	Warranty	<ul style="list-style-type: none"> · 24 months
Video	<ul style="list-style-type: none"> · Compression: MJPEG & MPEG-4 · Streaming: <ul style="list-style-type: none"> Simultaneous dual streams MPEG-4 streaming over UDP, TCP or HTTP MPEG-4 multicast streaming MJPEG streaming over HTTP · Supports 3GPP mobile surveillance · Frame rates: <ul style="list-style-type: none"> MPEG-4: Up to 30/25 fps at 640x480 MJPEG: Up to 30/25 fps at 640x480 		
Image Settings	<ul style="list-style-type: none"> · Adjustable image size, quality and bit rate · Time stamp and text caption overlay · Flip & mirror · Configurable brightness, contrast, saturation, sharpness, white balance and exposure · AGC, AWB, AES · Automatic, manual or scheduled day/night mode · BLC (Backlight Compensation) · Supports privacy masks 		
Audio	<ul style="list-style-type: none"> · Compression: <ul style="list-style-type: none"> GSM-AMR speech encoding, bit rate: 4.75 kbps to 12.2 kbps MPEG-4 AAC audio encoding, bit rate: 16 kbps to 128 kbps · Interface: <ul style="list-style-type: none"> Built-in microphone External microphone input Audio output External/Internal microphone switch · Supports two-way audio via SIP protocol · Supports audio mute 		
Networking	<ul style="list-style-type: none"> · 10/100 Mbps Ethernet, RJ-45 · Built-in 802.11b/g WLAN (IP7154) · Protocols: IPv4, IPv6, TCP/IP, HTTP, HTTPS, UPnP, RTSP/RTP/RTCP, IGMP, SMTP, FTP, DHCP, NTP, DNS, DDNS and PPPoE 		
Alarm and Event Management	<ul style="list-style-type: none"> · Triple-window video for motion detection · Tamper detection · One D/I and one D/O for external sensor and alarm · Event notification using HTTP, SMTP or FTP · Local recording of MP4 file 		
Security	<ul style="list-style-type: none"> · Multi-level user access with password protection · IP address filtering · Wireless: WEP, WPA-PSK, WPA2 (IP7154) · HTTPS encrypted data transmission 		
Users	<ul style="list-style-type: none"> · Live viewing for up to 10 clients 		
Dimension	<ul style="list-style-type: none"> · 205.5 mm (D) x 82.1 mm (W) x 51.2 mm (H) 		
Weight	<ul style="list-style-type: none"> · Net: 568 g (IP7153) · Net: 581 g (IP7154) 		
LED Indicator	<ul style="list-style-type: none"> · System power and status indicator · System activity and network link indicator 		

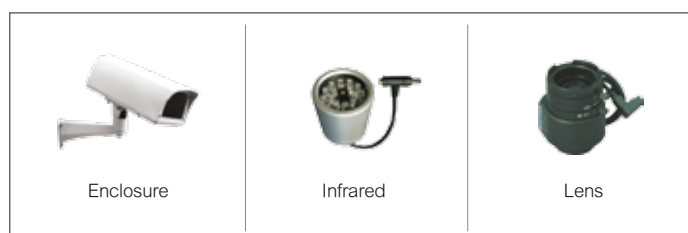
System Overview



External View



Accessories



All specifications are subject to change without notice. Copyright © 2012 VIVOTEK INC. All rights reserved.

Distributed by:



VIVOTEK INC.

6F, No.192, Lien-Cheng Rd., Chung-Ho, New Taipei City, 235, Taiwan, R.O.C.
| T: +886-2-82455282 | F: +886-2-82455532 | E: sales@vivotek.com

VIVOTEK USA, INC.

2050 Ringwood Avenue, San Jose, CA 95131
| T: 408-773-8686 | F: 408-773-8298 | E: salesusa@vivotek.com