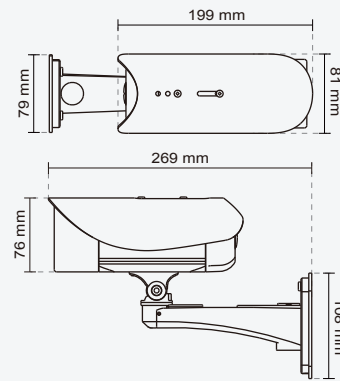


Technical Specifications

Lens <ul style="list-style-type: none"> Board lens, vari-focal, f = 3 ~ 9 mm, F1.2 (wide), F2.1 (tele), auto-iris Removable IR-cut filter for day & night function 	On-board Storage <ul style="list-style-type: none"> MicroSD/SDHC card slot Stores snapshots and video clips
Field of View <ul style="list-style-type: none"> 85.7~31.46° (horizontal) 73.16~25.4° (vertical) 99.82~39.67° (diagonal) 	Security <ul style="list-style-type: none"> Multi-level user access with password protection IP address filtering HTTPS encrypted data transmission 802.1X port-based authentication for network protection
Shutter Time <ul style="list-style-type: none"> 1/5 sec. to 1/32,000 sec. 	Users <ul style="list-style-type: none"> Live viewing for up to 10 clients
Image Sensor <ul style="list-style-type: none"> 1/3" CMOS sensor in 1280x1024 resolution 	Weight <ul style="list-style-type: none"> Net: 805 g
Minimum Illumination <ul style="list-style-type: none"> 0.02 Lux @ F1.2 (Color) 0.001 Lux @ F1.2 (B/W) 	LED Indicator <ul style="list-style-type: none"> System power and status indicator System activity and network link indicator
IR Illuminators <ul style="list-style-type: none"> Built-in IR illuminators, effective up to 20 meters IR LEDx12 	Power <ul style="list-style-type: none"> 12V DC 24V AC Power consumption: Max. 10 W 802.3af compliant Power-over-Ethernet (Class 3)
Video <ul style="list-style-type: none"> Compression: H.264, MJPEG & MPEG-4 Streaming: <ul style="list-style-type: none"> Multiple simultaneous streams H.264 streaming over UDP, TCP, HTTP or HTTPS MPEG-4 streaming over UDP, TCP, HTTP or HTTPS H.264/MPEG-4 multistreaming MJPEG streaming over HTTP or HTTPS Supports activity adaptive streaming for dynamic frame rate control Supports ePTZ for data efficiency Supports 3GPP mobile surveillance Frame rates: <ul style="list-style-type: none"> H.264: <ul style="list-style-type: none"> Up to 60 fps at 1280x720 Up to 30 fps at 1280x1024 MPEG-4: <ul style="list-style-type: none"> Up to 25 fps at 1280x1024 MJPEG: <ul style="list-style-type: none"> Up to 30 fps at 1280x1024 	Housing <ul style="list-style-type: none"> Weather-proof IP67-rated housing
Image Settings <ul style="list-style-type: none"> Adjustable image size, quality and bit rate Time stamp and text caption overlay Flip & mirror Configurable brightness, contrast, saturation, sharpness and exposure AGC, AWB, AES Automatic, manual or scheduled day/night mode BLC (Backlight Compensation) Supports privacy masks 	Approvals <ul style="list-style-type: none"> CE, LVD, FCC, VCCI, C-Tick, UL
Audio <ul style="list-style-type: none"> Compression: <ul style="list-style-type: none"> GSM-AMR speech encoding, bit rate: 4.75 kbps to 12.2 kbps MPEG-4 AAC audio encoding, bit rate: 16 kbps to 128 kbps G.711 audio encoding, bit rate: 64 kbps, μ-Law or A-Law mode selectable. Interface: <ul style="list-style-type: none"> External microphone input Audio output Supports two-way audio Supports audio mute 	Operating Environments <ul style="list-style-type: none"> Temperature: -20 °C ~ 50 °C (-4°F ~ 122 °F) Humidity: 90% RH
Networking <ul style="list-style-type: none"> 10/100/1000 Mbps Gigabit Ethernet, RJ-45 Onvif support Protocols: <ul style="list-style-type: none"> IPv4, IPv6, TCP/IP, HTTP, HTTPS, UPnP, RTSP/RTP/RTCP, IGMP, SMTP, FTP, DHCP, NTP, DNS, DDNS, PPPoE, CoS, QoS, SNMP, and 802.1X 	Viewing System Requirements <ul style="list-style-type: none"> OS: Microsoft Windows 7/Vista/XP/2000 Browser: Mozilla Firefox, Internet Explorer 7.x or above Cell phone: 3GPP player Real Player: 10.5 or above Quick Time: 6.5 or above
Alarm and Event Management <ul style="list-style-type: none"> Triple-window video motion detection Tamper detection One D/I and one D/O for external sensor and alarm Event notification using HTTP, SMTP or FTP Local recording of MP4 file 	Installation, Management, and Maintenance <ul style="list-style-type: none"> Mounting bracket with cable concealment RS-485 interface for scanners, pan/tilts Installation Wizard 2 32-CH ST7501 recording software Supports firmware upgrade
	Applications <ul style="list-style-type: none"> SDK available for application development and system integration
	Warranty <ul style="list-style-type: none"> 36 months
	Dimensions <ul style="list-style-type: none"> Camera: \varnothing 70 mm x 186 mm Cable length: 520 mm Cable diameter: \varnothing 7.2 mm; Max width: \varnothing 14 mm



All specifications are subject to change without notice. Copyright © 2012 VIVOTEK INC. All rights reserved. P/N: 971005100

SUPREME
A NEW DEFINITION OF HD



Network Bullet Camera IP8352

1.3 MP • Supreme Night Visibility • Exceptional 60 fps



VIVOTEK IP8352 is a best-in-class 1.3-Megapixel bullet network camera designed for diverse outdoor applications. Incorporated with a progressive scan CMOS sensor with exceptional low lux capabilities, the IP8352 captures not only razor-sharp images of fast-moving objects during daytime but also offers unparalleled night visibility under low light conditions.

Equipped with VIVOTEK's self-developed SoC, the IP8352 supports high-performance H.264/MPEG-4/MJPEG compression technology and offers extra smooth video quality up to 60 fps @ 720p and 30fps @ 1.3MP. Furthermore, the IP8352 boasts a number of innovative technologies, including Activity Adaptive Streaming, and Gigabit Ethernet Transmission, giving users the utmost in bandwidth flexibility and storage efficiency.

To adapt to the ever-changing lighting condition, the IP8352 comes with a removable IR-cut filter and built-in IR illuminators for both day and night applications. Its IP67-rated housing protects the camera body against rain and dust and ensures smooth operation under extreme weather conditions. For complete installation and prevention of tampering and vandalism, the IP8352 is also packaged with a mounting bracket that conceals all cabling.

With other advanced features such as tamper detection, 802.3af compliant PoE, MicroSD/SDHC card slot for on-board storage, Gigabit Ethernet Transmission, plus Supreme Night Visibility and 60 fps high definition video quality, the IP8352 is the best choice for the most demanding outdoor surveillance applications such as parking lots, entrances, housing communities and much more.



VIVOTEK INC.
6F, No.192, Lien-Cheng Rd., Chung-Ho, New Taipei City, 235, Taiwan, R.O.C.
| T: +886-2-82455282 | F: +886-2-8245532 | E: sales@vivotek.com

VIVOTEK USA, INC.
2050 Ringwood Avenue, San Jose, CA 95131
| T: 408-773-8686 | F: 408-773-8298 | E: salesusa@vivotek.com

Ver 1.4



Supreme Night Visibility

Conventional megapixel cameras require more light to achieve the picture clarity for object identification. VIVOTEK IP8152, which features an advanced sensor specifically designed for the security market, can surpass the performance of traditional cameras in low light environments.

SUPREME
A NEW DEFINITION OF HD



60 fps Raises Recognition Accuracy

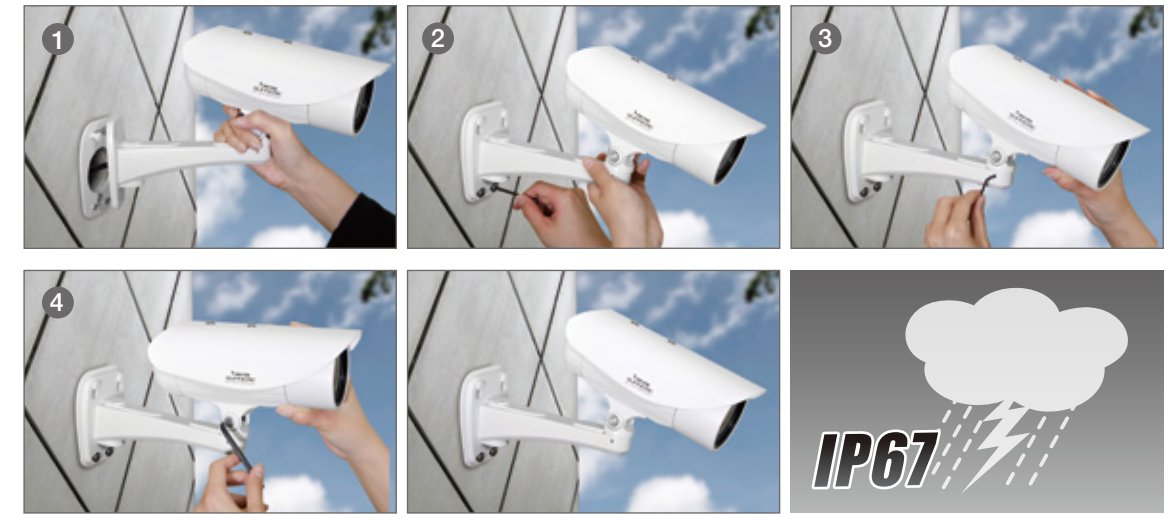
The VIVOTEK IP8352 is able to transmit 60 fps @ 720p resolution with H.264 compression, whereas a conventional megapixel camera can generally only achieve 10 to 15 fps due to hardware limitations. 60 fps provides a significant advantage as it enables viewing and recording footage at an exceptional frame rate. This feature provides a more complete record of an event and ensures accurate target identification. The more images or frames that can be captured and delivered to a facial recognition database, the more forensic evidence is available for biometric pairing, significantly increasing the level of the accuracy.

10 fps	Key frame
30 fps	Key frame
60 fps	Key frame

Innovative Cable Management & Robust IP67-rated Housing

The IP8352 comes with a custom mounting bracket in which cabling is routed. This compact bracket prevents the cables from intentional or incidental damage, ensuring uninterrupted and reliable surveillance. The bracket also allows a quick and simple four-step installation, while the camera appearance remains clean and professional.

The IP8352's weather-proof IP67-rated housing guards against extreme weather conditions regardless of dust or moisture. It offers total protection against contamination and resists water ingress, allowing for smooth operation in demanding environments.



Applications



Product Features

IP8352 Network Bullet Camera

Supreme Night Visibility • 1.3 MP • Exceptional 60 fps

- 1.3-Megapixel CMOS Sensor
- Supreme Night Visibility
- Up to 60 fps @ 720p HD; Up to 30 fps @ 1280x1024 (1.3MP)
- 3 ~ 9 mm Vari-focal, Auto-iris Lens
- Removable IR-cut Filter for Day & Night Function
- Built-in IR Illuminators, Effective up to 20 Meters
- Real-time H.264, MPEG-4, and MJPEG Compression (Triple Codec)
- Weather-proof IP67-rated Housing
- Built-in 802.3af Compliant PoE
- Built-in MicroSD/SDHC Card Slot for On-board Storage
- Gigabit Ethernet Data Transmission
- Mounting Bracket with Cable Management for Protected Installation



ONVIF