

# Pan/Tilt/Zoom Network Camera



The Vivotek Network Camera with Pan/Tilt/Zoom will extend your view indeed. In addition to high performance synchronized audio/video transmission over future proof IP network, pan/tilt/zoom capability makes the camera view more angles therefore increases the coverage for monitoring. Secure your life with the Vivotek Network Camera with Pan/Tilt/Zoom in a digital way!



PZ6112/ PZ6122  
PZ6114/ PZ6124

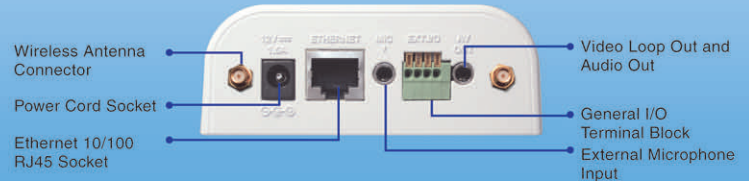
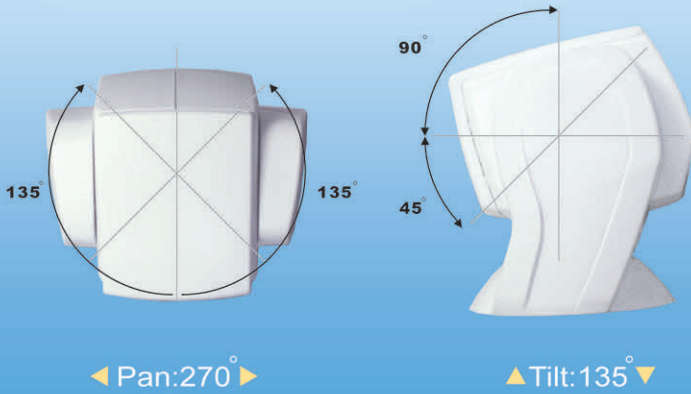
## Features

- MJPEG and MPEG4 Video Compression Selectable
- Motorized Pan/Tilt/Zoom (10X Optical Zoom Lens and 10X Digital Zoom)
- Integrated Two-way Audio
- Optimized Synchronization of Audio and Video
- 802.11g Wireless Connection (PZ6114/PZ6124)
- Supports UPnP and Dynamic IP (DDNS)
- Intelligent Motion Detection
- Pre- and Post- Alarm Snapshots
- Digital I/O for Sensor and Alarm
- Low Light Mode Down to 0.05 Lux
- Free-bundled 16-CH Audio and Video Recording Software

# Pan/Tilt/Zoom Network Camera

PZ6112/ PZ6122

PZ6114/ PZ6124



## Technical Specifications

Models	<ul style="list-style-type: none"> <li>• PZ6112 (NTSC CCD)</li> <li>• PZ6122 (PAL CCD)</li> <li>• PZ6114 (NTSC CCD, wireless)</li> <li>• PZ6124 (PAL CCD, wireless)</li> </ul>	Audio	<ul style="list-style-type: none"> <li>• 8k /24k /32kbps</li> <li>• Audio output connector</li> <li>• External microphone connector</li> <li>• Full duplex audio communication</li> <li>• Acoustic echo cancellation</li> </ul>
System	<ul style="list-style-type: none"> <li>• CPU: Trimedia PNX1300</li> <li>• RAM: 16MB SDRAM</li> <li>• ROM: 4MB FLASH ROM</li> </ul>	Microphone	<ul style="list-style-type: none"> <li>• Omni-directional</li> <li>• Frequency 20 ~ 20000Hz</li> <li>• S/N ratio More than 58dB</li> </ul>
Networking	<ul style="list-style-type: none"> <li>• Protocols UPnP, TCP/IP, HTTP, SMTP, FTP, Telnet, NTP, DNS, DDNS and DHCP</li> <li>• Ethernet 10 baseT or 100 baseT Fast Ethernet auto negotiation</li> <li>• Wireless Ethernet (PZ6114/6124) 802.11g wireless LAN</li> </ul>	General I/O	<ul style="list-style-type: none"> <li>• 1 sensor input max. 12VDC 50mA</li> <li>• 1 relay output max. 24VDC 1A / 125VAC 0.5A</li> </ul>
Video	<ul style="list-style-type: none"> <li>• Algorithm MPEG4 simple profile/MJPEG selectable for streaming video JPEG for still image</li> <li>• Features Adjustable image size and quality Time stamp and text overlay Three configurable motion detection windows Flip &amp; mirror Video output connector</li> <li>• Resolution NTSC Up to 30 frames at 176x120 Up to 30 frames at 352x240 Up to 15 frames at 704x480 PAL Up to 25 frames at 176x144 Up to 25 frames at 352x288 Up to 12 frames at 704x576</li> </ul>	Pan/Tilt	<ul style="list-style-type: none"> <li>• Pan: range +135° ~ -135°, 10° ~ 50°/sec</li> <li>• Tilt: range +90° ~ -45°, 7° ~ 25°/sec</li> <li>• Zoom: 1x~10x optical zoom 2x,4x,6x,8x,10x digital zoom</li> <li>• Auto pan mode</li> <li>• Auto patrol mode</li> </ul>
Camera Specifications	<ul style="list-style-type: none"> <li>• 1/4 inch color CCD image sensor</li> <li>• 1.5 Lux / F1.8 (Typical); 0.05 Lux / F1.8 (Low Light mode)</li> <li>• AGC, AWB, AES</li> <li>• PZ6112 Resolution: 542(H)x493(V) Electronic shutter: 1/60~1/100,000 sec.</li> <li>• PZ6122 Resolution: 537(H)x597(V) Electronic shutter: 1/50~1/100,000 sec.</li> </ul>	LED Indicators	<ul style="list-style-type: none"> <li>• System power and status indicator</li> <li>• System activity and Network link indicator</li> </ul>
Lens	<ul style="list-style-type: none"> <li>• 10X optical zoom lens, f=4.2~42mm, F1.8~2.9</li> </ul>	Dimensions	<ul style="list-style-type: none"> <li>• Length: 105mm</li> <li>• Width: 105mm</li> <li>• Height: 125mm</li> </ul>
		Weight	<ul style="list-style-type: none"> <li>• NET: 420g</li> </ul>
		Power	<ul style="list-style-type: none"> <li>• 12VDC</li> <li>• Consumption: PZ6112/6122: Max 12W PZ6114/6124: Max 13W</li> </ul>
		Operating Environments	<ul style="list-style-type: none"> <li>• Temperature: 0~40°C (32~102°F)</li> <li>• Humidity: 85% RH</li> </ul>
		EMI & Safety	<ul style="list-style-type: none"> <li>• CE, FCC</li> </ul>
		Viewing System Requirements	<ul style="list-style-type: none"> <li>• Operation system: Microsoft Windows98 SE, ME, 2000, XP</li> <li>• Browser: Internet Explorer 5.0 or above</li> </ul>
		Free Bundled ST3402 Software	<ul style="list-style-type: none"> <li>• Remote configuration and control sixteen devices</li> <li>• Event-triggered, scheduled, manual recording</li> <li>• Instant search with preview windows</li> <li>• Fast/slow forward replay and pause</li> <li>• Hard disk quota warning</li> <li>• Scheduled record</li> <li>• AVI format export</li> </ul>

All specifications are subject to change without notice.  
All other trademarks are owned by their respective companies.



6F, No.192, Lien-Cheng Rd., Chung-Ho, Taipei County, Taiwan  
Tel: +886 2 82455282  
Fax: +886 2 82455532  
E-mail: sales@vivotek.com  
Http://www.vivotek.com

