

# PZ8111/11W/21/21W

## Pan/Tilt/Zoom Network Camera

**10x Zoom • 802.11b/g/n Wifi • PoE**



VIVOTEK PZ8111/21(PoE), PZ8111W/21W(WLAN) is a high-performance network camera featuring 10x optical zoom and pan/tilt functionality. The camera is designed for indoor surveillance applications such as retail stores, offices or banks. The built-in 10x motorized optical zoom module provides greater depth of field when zoomed in. Therefore, it can display clear-cut images on near or distant objects.

With flexible 300-degree pan and 135-degree tilt, PZ8111/11W/21/21W can give users more comprehensive control over the monitored site. The PZ8111/11W/21/21W supports the industry-standard H.264 compression technology, drastically reducing file sizes and conserving valuable network bandwidth. With MPEG-4 and MJPEG compatibility also included, video streams can also be transmitted in any of these formats for versatile applications. The streams can also be individually configured to meet different constraints, thereby further reducing bandwidth and storage requirements. Users can thus receive multiple streams simultaneously in different resolutions, frame rates, and image qualities for viewing on different platforms.

In addition, PZ8111/21 is integrated with Power over Ethernet function while PZ8111W/21W with 802.11b/g/n compatible wireless connection, making installation easier and more cost-efficient. The free-bundled, multi-lingual 32-channel recording software helps users to set up an easy-to-use IP surveillance system.

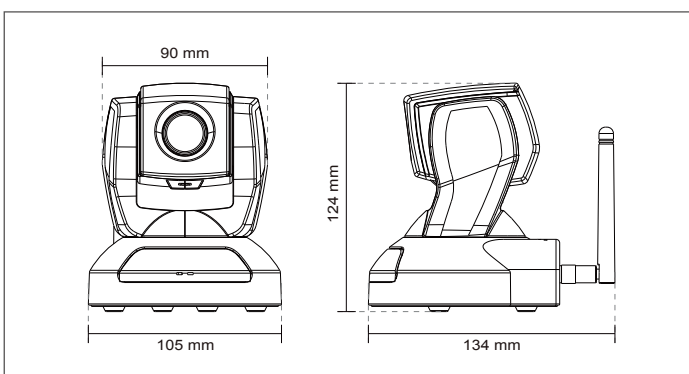
## Features

- > 10x Optical Zoom Lens
- > Motorized Pan/Tilt  
(Pan: -150° ~ +150°; Tilt: -45° ~ +90°)
- > Real-time H.264, MPEG-4 and MJPEG Compression (Triple Codec)
- > Multiple Simultaneous Streams
- > 3GPP Mobile Surveillance
- > Built-in 802.3af Compliant PoE (PZ8111/21)
- > Built-in 802.11b/g/n WLAN (PZ8111W/21W)
- > Two-way Audio
- > Built-in/External Microphone Switch

<b>Models</b>	<ul style="list-style-type: none"> <li>· PZ8111 (NTSC CCD, PoE)</li> <li>· PZ8121 (PAL CCD, PoE)</li> <li>· PZ8111W (NTSC CCD, WLAN)</li> <li>· PZ8121W (PAL CCD, WLAN)</li> </ul>
<b>System</b>	<ul style="list-style-type: none"> <li>· Multimedia SoC</li> <li>· Flash: 128MB</li> <li>· RAM: 128MB</li> <li>· Embedded OS: Linux 2.6</li> </ul>
<b>Pan/Tilt/Zoom</b>	<ul style="list-style-type: none"> <li>· Pan range: 300° (-150° ~ +150°)</li> <li>· Tilt range: 135° (-45° ~ +90°)</li> <li>· 10x optical zoom, 10x digital zoom</li> <li>· Auto pan mode</li> <li>· Auto patrol mode</li> </ul>
<b>Lens</b>	<ul style="list-style-type: none"> <li>· 10x optical zoom lens, f = 4.2 ~ 42 mm, F1.8 (wide), F2.9 (tele), auto-iris, auto focus</li> </ul>
<b>Angle of View</b>	<ul style="list-style-type: none"> <li>· 4.15° ~ 48.93° (horizontal)</li> <li>· 2.77° ~ 33.75° (vertical)</li> </ul>
<b>Shutter Time</b>	<ul style="list-style-type: none"> <li>· 1/60 sec. to 1/10,000 sec. (PZ8111/11W)</li> <li>· 1/50 sec. to 1/10,000 sec. (PZ8121/21W)</li> </ul>
<b>Image Sensor</b>	<ul style="list-style-type: none"> <li>· 1/4" CCD sensor in D1 resolution</li> </ul>
<b>Minimum Illumination</b>	<ul style="list-style-type: none"> <li>· 2.76 Lux @ F1.8 (typical)</li> <li>· 0.05 Lux @ F1.8 (low light mode)</li> </ul>
<b>Video</b>	<ul style="list-style-type: none"> <li>· Compression: H.264, MJPEG &amp; MPEG-4</li> <li>· Streaming: <ul style="list-style-type: none"> <li>Multiple simultaneous streams</li> <li>H.264 streaming over UDP, TCP, HTTP or HTTPS</li> <li>MPEG-4 streaming over UDP, TCP, HTTP or HTTPS</li> <li>H.264/MPEG-4 multicast streaming</li> <li>MJPEG streaming over HTTP or HTTPS</li> </ul> </li> <li>· Supports activity adaptive streaming for dynamic frame rate control</li> <li>· Supports 3GPP mobile surveillance</li> <li>· Frame rates: <ul style="list-style-type: none"> <li>H.264: <ul style="list-style-type: none"> <li>Up to 30/25 fps at 720x480/720x576</li> </ul> </li> <li>MPEG-4: <ul style="list-style-type: none"> <li>Up to 30/25 fps at 720x480/720x576</li> </ul> </li> <li>MJPEG: <ul style="list-style-type: none"> <li>Up to 30/25 fps at 720x480/720x576</li> </ul> </li> </ul> </li> <li>· Interface: <ul style="list-style-type: none"> <li>AV output</li> </ul> </li> </ul>
<b>Image Settings</b>	<ul style="list-style-type: none"> <li>· Adjustable image size, quality and bit rate</li> <li>· Time stamp and text caption overlay</li> <li>· Flip &amp; mirror</li> <li>· Configurable brightness, contrast, saturation, sharpness and white balance</li> <li>· AGC, AWB, AES</li> <li>· BLC (Backlight Compensation)</li> <li>· Supports privacy masks</li> </ul>
<b>Audio</b>	<ul style="list-style-type: none"> <li>· Compression: <ul style="list-style-type: none"> <li>GSM-AMR speech encoding, bit rate: 4.75 kbps to 12.2 kbps</li> <li>MPEG-4 AAC audio encoding, bit rate: 16 kbps to 128 kbps</li> <li>G.711 audio encoding, bit rate: 64 kbps, <math>\mu</math>-Law or A-Law mode selectable</li> </ul> </li> <li>· Interface: <ul style="list-style-type: none"> <li>Built-in microphone</li> <li>External microphone input</li> <li>Audio output</li> <li>External/Internal microphone switch</li> </ul> </li> <li>· Supports two-way audio</li> <li>· Supports audio mute</li> </ul>
<b>Networking</b>	<ul style="list-style-type: none"> <li>· 10/100 Mbps Ethernet, RJ-45</li> <li>· Built-in 802.11b/g/n WLAN (PZ8111W/21W)</li> <li>· Protocols: IPv4, IPv6, TCP/IP, HTTP, HTTPS, UPnP, RTSP/RTP/RTCP, IGMP, SMTP, FTP, DHCP, NTP, DNS, DDNS, PPPoE, CoS, QoS, SNMP, and 802.1X</li> </ul>

<b>Alarm and Event Management</b>	<ul style="list-style-type: none"> <li>· Triple-window video for motion detection</li> <li>· One D/I and one D/O for external sensor and alarm</li> <li>· Event notification using HTTP, SMTP or FTP</li> <li>· Local recording of MP4 files</li> </ul>
<b>Security</b>	<ul style="list-style-type: none"> <li>· Multi-level user access with password protection</li> <li>· IP address filtering</li> <li>· Wireless: WEP, WPA-PSK, WPA2 (PZ8111W/21W)</li> <li>· HTTPS encrypted data transmission</li> <li>· 802.1X port-based authentication for network protection</li> </ul>
<b>Users</b>	<ul style="list-style-type: none"> <li>· Live viewing for up to 10 clients</li> </ul>
<b>Dimension</b>	<ul style="list-style-type: none"> <li>· <math>\varnothing</math> 105 mm x 124 mm</li> </ul>
<b>Weight</b>	<ul style="list-style-type: none"> <li>· Net: 391 g (PZ8111/21)</li> <li>· Net: 408 g (PZ8111W/21W)</li> </ul>
<b>LED Indicator</b>	<ul style="list-style-type: none"> <li>· System power and status indicator</li> <li>· System activity and network link indicator</li> </ul>
<b>Power</b>	<ul style="list-style-type: none"> <li>· 12V DC</li> <li>· Power consumption: <ul style="list-style-type: none"> <li>Max. 11.16W (PZ8111/21)</li> <li>Max. 12W (PZ8111W/21W)</li> </ul> </li> <li>· 802.3af compliant Power-over-Ethernet (Class 3) (PZ8111/21)</li> </ul>
<b>Approvals</b>	<ul style="list-style-type: none"> <li>· CE, LVD, FCC, VCCI, C-Tick</li> </ul>
<b>Operating Environments</b>	<ul style="list-style-type: none"> <li>· Temperature: 0°C ~ 50°C (32°F ~ 122°F)</li> <li>· Humidity: 20% ~ 80% RH</li> </ul>
<b>Viewing System Requirements</b>	<ul style="list-style-type: none"> <li>· OS: Microsoft Windows 7/Vista/XP/2000</li> <li>· Browser: <ul style="list-style-type: none"> <li>Mozilla Firefox, Internet Explorer 6.x or above</li> </ul> </li> <li>· Cell phone: 3GPP player</li> <li>· Real Player: 10.5 or above</li> <li>· Quick Time: 6.5 or above</li> </ul>
<b>Installation, Management, and Maintenance</b>	<ul style="list-style-type: none"> <li>· Installation Wizard 2</li> <li>· 32-CH ST7501 recording software</li> <li>· Supports firmware upgrade</li> </ul>
<b>Applications</b>	<ul style="list-style-type: none"> <li>· SDK available for application development and system integration</li> </ul>
<b>Warranty</b>	<ul style="list-style-type: none"> <li>· 24 months</li> </ul>

Dimension



All specifications are subject to change without notice. Copyright © 2011 VIVOTEK INC. All rights reserved.

Distributed by:



VIVOTEK INC.

6F, No.192, Lien-Cheng Rd., Chung-Ho, New Taipei City, 235, Taiwan, R.O.C.  
| T: +886-2-82455282 | F: +886-2-82455532 | E: sales@vivotek.com

VIVOTEK USA, INC.

2050 Ringwood Avenue, San Jose, CA 95131  
| T: 408-773-8686 | F: 408-773-8298 | E: salesusa@vivotek.com