



Technical Specifications

System <ul style="list-style-type: none"> CPU: VVTK-1000 SoC Flash: 8MB RAM: 64MB Embedded OS: Linux 2.4 	Networking <ul style="list-style-type: none"> 10/100 Mbps Ethernet, RJ-45 Protocols: IPv4, IPv6, TCP/IP, HTTP, HTTPS, UPnP, RTSP/RTP/RTCP, IGMP, SMTP, FTP, DHCP, NTP, DNS, DDNS, PPPoE, CoS, QoS and 802.1X
Pan/Tilt/Zoom <ul style="list-style-type: none"> Pan range: 360° continuous rotation Tilt range: 0° ~ 90° flip 18x optical zoom Pan speed: 0.1° ~ 300°/sec Tilt speed: 0.1° ~ 120°/sec Auto pan mode Auto patrol mode 	Alarm and Event Management <ul style="list-style-type: none"> Triple-window video for motion detection Four D/I and one D/O for external sensor and alarm Event notification using HTTP, SMTP or FTP Local recording of MP4 file
Lens <ul style="list-style-type: none"> 18x optical zoom lens, f = 4.1 ~ 73.8 mm, F1.4 (wide), F3.0 (tele), auto-iris, focus range: 290 mm (wide), 800 mm (tele) to infinity Removable IR-cut filter for day & night function 	Security <ul style="list-style-type: none"> Multi-level user access with password protection IP address filtering HTTPS encrypted data transmission
Angle of View <ul style="list-style-type: none"> 2.8° ~ 48° (horizontal) 	Users <ul style="list-style-type: none"> Live viewing for up to 10 clients
Shutter Time <ul style="list-style-type: none"> 1/2 sec. to 1/10,000 sec. 	Dimension <ul style="list-style-type: none"> Ø 200 mm x 270 mm
Image Sensor <ul style="list-style-type: none"> SONY 1/4" progressive scan CCD sensor in VGA resolution 	Weight <ul style="list-style-type: none"> Net: 3,740 g
Minimum Illumination <ul style="list-style-type: none"> 1.61 Lux (F1.4, 1/30s) 0.38 Lux (F1.4, 1/30s, without IR-cut filter) 	LED Indicator <ul style="list-style-type: none"> System power and status indicator System activity and network link indicator
Video <ul style="list-style-type: none"> Compression: MJPEG & MPEG-4 Streaming: <ul style="list-style-type: none"> Simultaneous dual streams MPEG-4 streaming over UDP, TCP, HTTP or HTTPS MPEG-4 multicast streaming MJPEG streaming over HTTP or HTTPS Supports 3GPP mobile surveillance Frame rates: <ul style="list-style-type: none"> MPEG-4: Up to 30/25 fps at 640x480 MJPEG: Up to 30/25 fps at 640x480 	Power <ul style="list-style-type: none"> 24V AC 2A 60Hz/50Hz Power consumption: Max. 42 W
Image Settings <ul style="list-style-type: none"> Adjustable image size, quality and bit rate Time stamp and text caption overlay Flip & mirror Configurable brightness, sharpness, white balance and exposure AGC, AWB, AES Automatic, manual or scheduled day/night mode BLC (Backlight Compensation) 	Housing <ul style="list-style-type: none"> Weather-proof IP66-rated housing
Audio <ul style="list-style-type: none"> Compression: <ul style="list-style-type: none"> GSM-AMR speech encoding, bit rate: 4.75 kbps to 12.2 kbps MPEG-4 AAC audio encoding, bit rate: 16 kbps to 128 kbps G.711 audio encoding, bit rate: 64 kbps, µ-Law or A-Law mode selectable Interface: <ul style="list-style-type: none"> External microphone input Audio output Supports two-way audio via SIP protocol Supports audio mute 	Approvals <ul style="list-style-type: none"> CE, LVD, FCC, VCCI, C-Tick
	Operating Environments <ul style="list-style-type: none"> Temperature: -20 ~ 60 °C (-4 ~ 140 °F) Humidity: 20% ~ 80% RH
	Viewing System Requirements <ul style="list-style-type: none"> OS: Microsoft Windows 7/Vista/XP/2000 Browser: Mozilla Firefox, Internet Explorer 6.x or above Cell phone: 3GPP player Real Player: 10.5 or above Quick Time: 6.5 or above
	Installation, Management, and Maintenance <ul style="list-style-type: none"> Installation Wizard 2 32-CH ST7501 recording software Supports firmware upgrade
	Applications <ul style="list-style-type: none"> SDK available for application development and system integration
	Warranty <ul style="list-style-type: none"> 24 months

All specifications are subject to change without notice. Copyright ©2010 VIVOTEK INC. All rights reserved.

Speed Dome Network Camera SD7151

Progressive Scan CCD • 18x Zoom
Dual Streams • Day & Night



VIVOTEK's SD7151, equipped with an 18x optical zoom lens, is a high performance day/night speed dome network camera suitable for professional surveillance applications. It represents another significant addition to VIVOTEK's high-end, progressive-scan network camera portfolio.

Complementing the Sony 18x optical zoom lens is the progressive CCD sensor, allowing for not only for exceptional detail on enlarged images taken from faraway distances, but also crystal-clear, razor-sharp images of fast-moving objects without jagged edges. With its sophisticated pan/tilt mechanism, this camera provides fast, precise movement with continuous 360-degree pan and 90-degree tilt. You can easily control the lens position via mouse or joystick to track the object you are interested in and define up to 128 presets for patrolling.

The day and night functionality makes this camera ideal for operating under diverse lighting conditions. When light conditions turn poor, the IR-cut filter will be automatically removed to accept IR illumination. At the same time, the camera switches itself automatically from color to black and white, ensuring optimal image quality at all times.

Additional advanced features including 3GPP mobile surveillance, two-way audio via SIP protocol, and digital I/O for external sensors and alarms make the VIVOTEK SD7151 a truly full-featured speed dome. It is the best solution for various enterprise projects such as airports, highways, parking lots, and shopping malls, where high-level reliability and precision is an absolute requirement.



Product Features

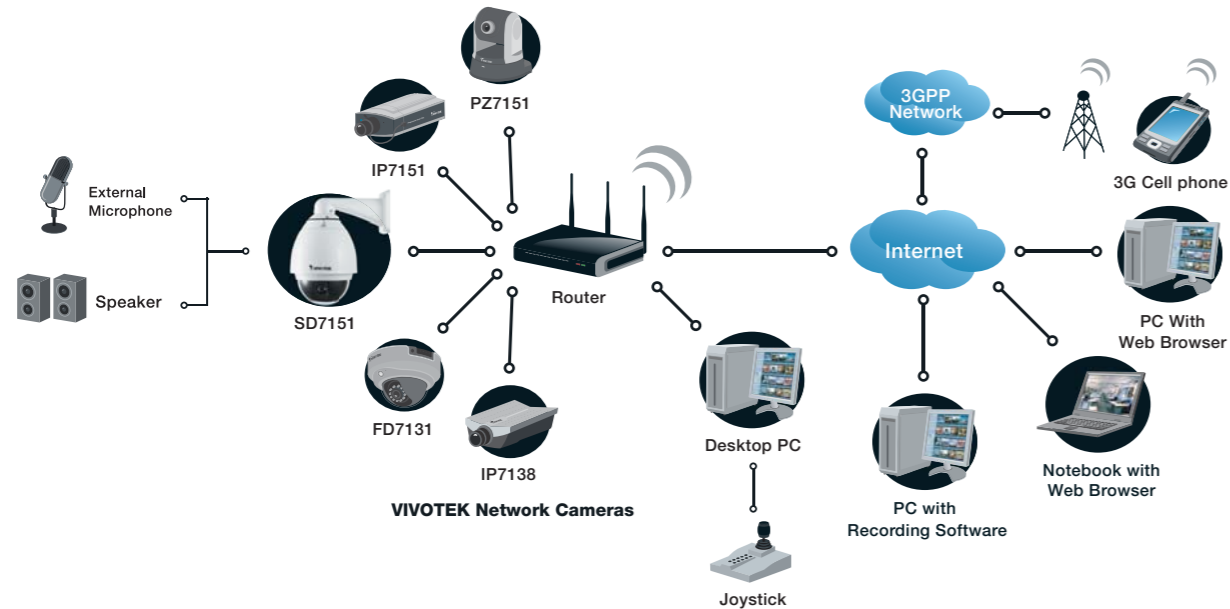
- SONY Progressive Scan CCD Sensor in VGA Resolution
- 18x Zoom Lens
- 360° Continuous Pan and 0° ~ 90° Flip Tilt
- Removeable IR-cut Filter for Day & Night Function
- Real-time MPEG-4 and MJPEG Compression (Dual Codec)
- Simultaneous Dual Streams
- Weather-proof IP66-rated Housing
- 3GPP Mobile Surveillance
- Easy, Fast, Accurate PTZ Control by Joystick
- Two-way Audio via SIP Protocol
- Digital I/O for External Sensor and Alarm



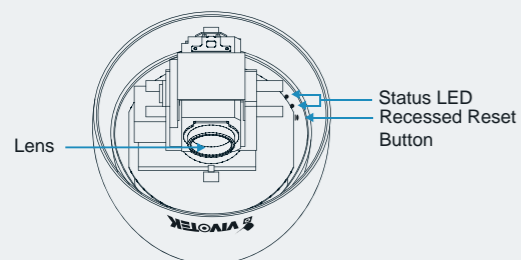
VIVOTEK's
Self-developed SoC



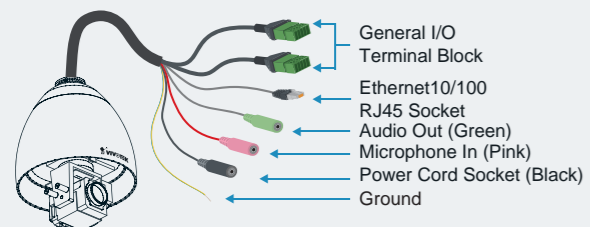
System Overview



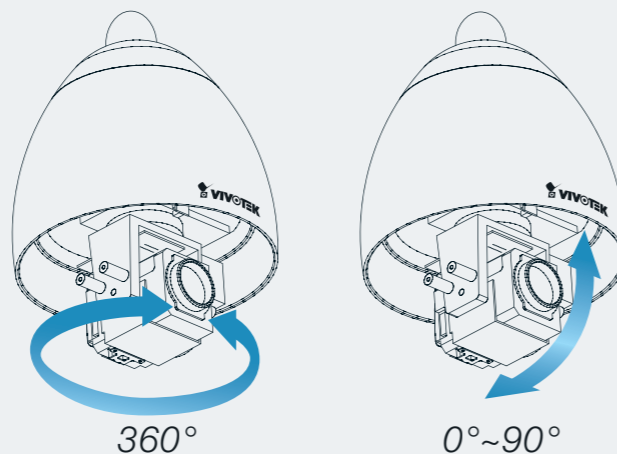
Internal View



Connectors



Pan range: 360° Continuous Rotation
Tilt range: 0°~90° Flip



Versatile Applications



Airports



Stations



Freeways

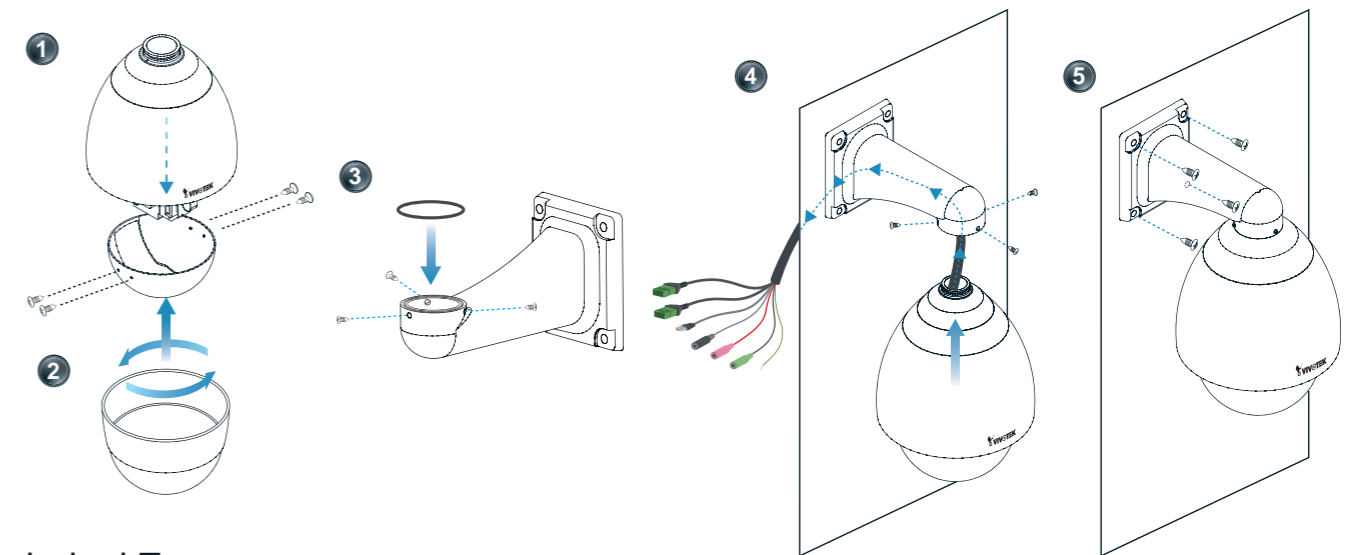


Parking lots



Shopping malls

Easy Installation



Technical Zone



Progressive Scan CCD Sensor

Optimum solution for shooting high-speed moving objects

The progressive scan CCD sensor offers an excellent solution for shooting high-speed moving objects. It can clearly capture images of objects in motion that traditional interlaced-scan techniques cannot achieve. Unlike traditional interlaced-scan techniques, progressive scanning scans all lines of an image simultaneously so as to present razor-sharp, clear, and high-resolution snapshots



18x Optical Zoom Lens

Providing unprecedented image quality

Utilizing a Sony 18x optical zoom lens, the VIVOTEK SD7151 allows for close-up images with exceptional detail and effectively extends the viewable distance. You can quickly and easily zoom in on distant objects or a small target with unprecedented image quality, even when enlarged.



Day & Night Function

The best solution for 24-hour surveillance

The VIVOTEK SD7151 is equipped with a removable IR-cut filter, which is automatically removed at night time to allow IR light into the sensor to maximize sensitivity in low light conditions and to improve image clarity. The camera will automatically switch from color to black and white, assuring optimal image quality at all times.