

# VIVOTEK Fixed Dome Series Mounting kit

Using

AM-518 Mounting Adapter,  
AM-118 Pendant Head (indoor),  
AM-116 and AM-117 Pendant Pipes,  
AM-221 Gooseneck,  
AM-212 Wall Mount,  
AM-311 Pole Mount,  
AM-411 Corner Mount,  
AM-711 Junction Box.

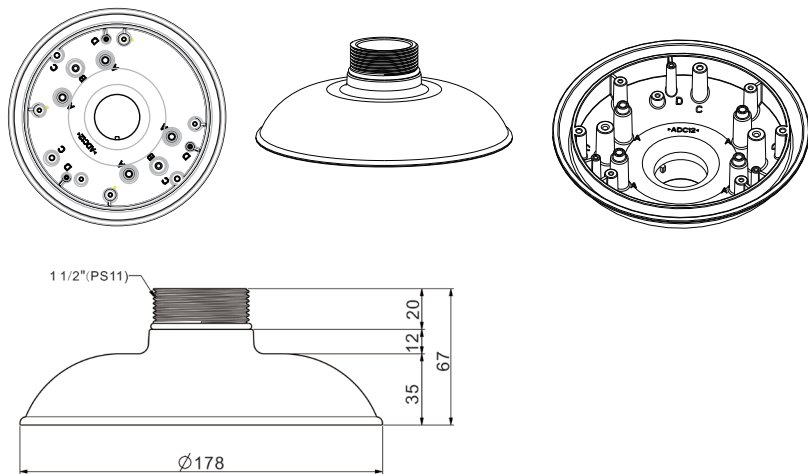
Installation Guide

Rev. 1.0

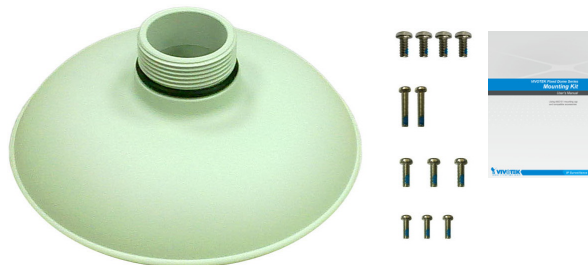
## Revision History:

Rev. 1.0: Initial release.

## AM-518 Mounting Adapter Mechanical Drawing



## AM-518 Mounting Adapter Package Contents



## 1 Compatible VIVOTEK Cameras

Outdoor series	FD8361, FD8361L, FD8362, FD8362E, FD8335H, FD7141, FD7141V, FE8171V, FD8372, FE8172V
Indoor series	FD8161, FD8162, FD8135H, FD7131, FD7132

**Warning:**

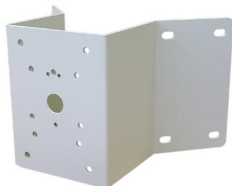
1. Select a suitable location where the camera is free from accidental damage, tampering, or harsh environmental conditions.
  2. Locate a place for the installation where the camera can not be intentionally or unintentionally interfered.
  3. Select a solid and flat mounting surface that can support the combined weight of the camera and associated hardware. Vibration and temperature range should also be taken into consideration.
- 

## 2 Compatible Accessories

### Compatible Accessories (1): AM-311 Pole Mount Bracket



### Compatible Accessories (2): AM-411 Corner Mount Bracket



### Compatible Accessories (3): AM-711 Junction Box



**Compatible Accessories (4-1): AM-221 Gooseneck Bracket**



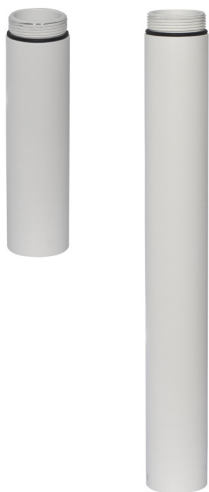
**Compatible Accessories (4-2): AM-212 Wall-mount Bracket**



**Compatible Accessories (5-1): AM-118 Pendant Head**

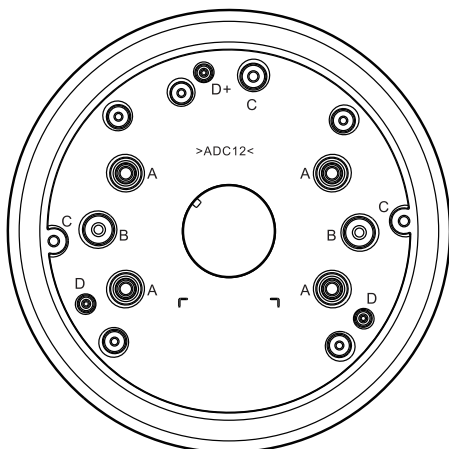


**Compatible Accessories (5-2): AM-116 and AM-117 Pendant Pipe**



## 3 Mounting & Cabling with AM-518

### 3-1. Mounting Hole Definitions







Above are the locations of different groups of mounting holes for matching different cameras:

Hole Type	Applicable Cameras
A	FD8362E, FD8362, FD8361, FD8335H, FD7141, FD7141V, and FD8372.
B	FD8161, FD7131, FD7132
C	FD8162, FD8135H
D	FE8171V, FE8172V

Align the mounting holes on your mounting plate (outdoor series) or on the camera (indoor series) to match those on the mounting adapter.

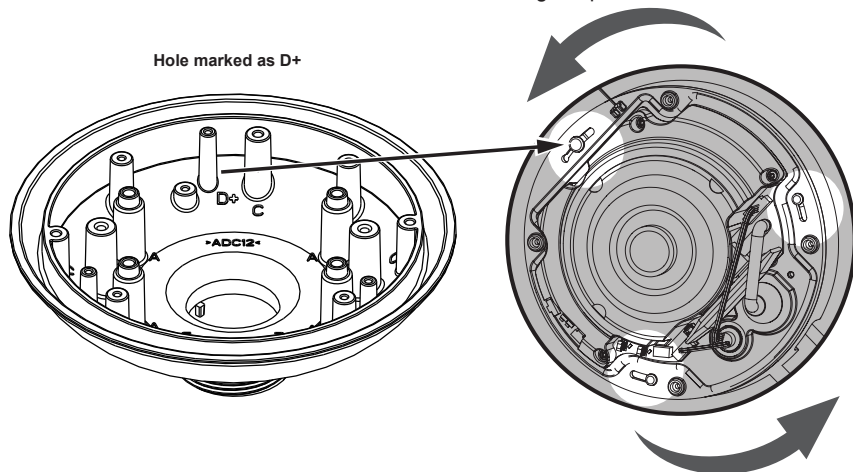
For cabling and configuration details with each camera, please refer to their documentation. Refer to the table below for the screws to be used with each type of mounting holes:

Screw Description	Quantity	Applies to	
M5X10 Phillips pan head	4	A	
M4X20 Phillips pan head	2	B	
M4X12 Phillips pan head	3	C	
M3X10 Phillips pan head	3	D / D+	

**NOTE:**

Due to its unique mechanical design, the mounting procedure for an FE8171V fisheye camera is specifically described as follows:

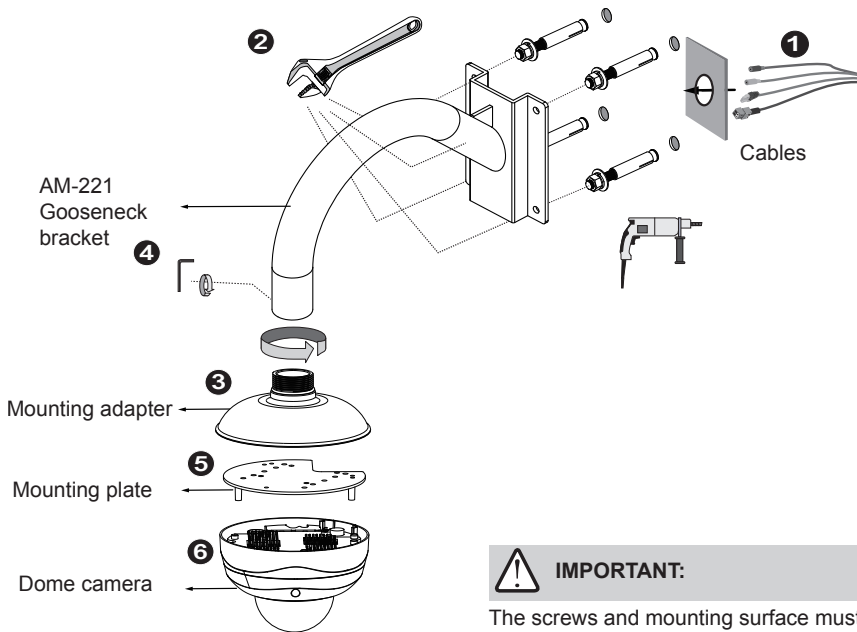
1. Remove the camera's top cover.
2. Fasten 2 included screws to the D holes (not the D+ hole).
3. Align the camera with the mounting adapter and let the 2 screws enter the key holes located on the side where the camera's cabling interfaces reside, e.g., the Ethernet port.
4. Rotate the camera counter-clockwise. You can then see the D+ hole through the slotted screw hole (in front of the Micro SD slot).
5. Fasten screws to secure the camera with the mounting adapter.



## 3-2. Gooseneck Installation

Below is a general, sample procedure using a gooseneck bracket:

1. Route power lines and other cables through the wall and the bracket.
2. Locate the position where you want to install the gooseneck bracket and camera. Drill holes on the wall for securing the bracket and for routing the cables.  
Secure the bracket by hammering anchors into the wall and then fasten screws through it. Drill 10mm holes in diameter and 60mm deep.
3. Attach the mounting adapter to the bracket by rotating it clockwise until it is tightly fastened.



### IMPORTANT:

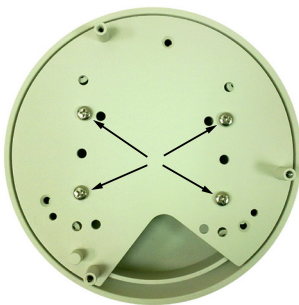
The screws and mounting surface must be able to support a weight of 6 kg.

4. Use a hex wrench to secure the mounting adapter to the gooseneck bracket.
5. For models using the A holes (please refer to the mounting hole diagram on the previous pages), secure its mounting plate to the mounting adapter above.  
For the indoor models, mounting plates are not necessary.
6. For outdoor models - secure the camera to the mounting plate.  
For indoor models - secure the camera directly to the mounting adapter.

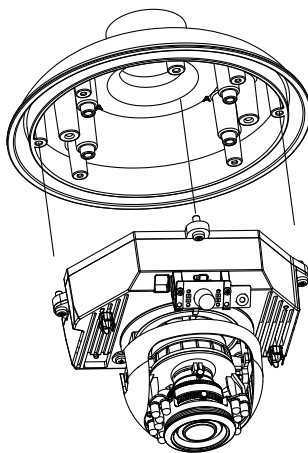
When cabling is done, proceed with initial setup such as enabling network access, focus tuning, or zooming. When done, secure the outer dome cover.

**NOTE:**

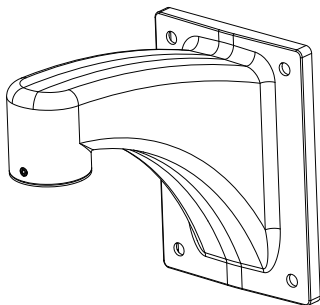
1. Use the correct type of screws when installing cameras to the mounting adapter. Refer to page 5 for the screw type. The sample mounting positions for FD8362E (or FD8335H and FD8372) are shown below.



2. Shown on the right is an exemplary illustration for the FD8135H and FD8162 indoor cameras. Refer to page 5 for the screw type.



3. The same installation method applies to the AM-212 wall-mount bracket.



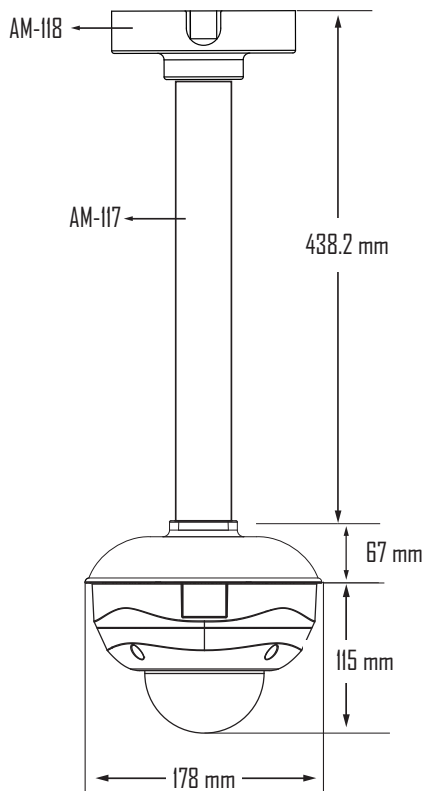


### 3-3. Pendant Mount Installation

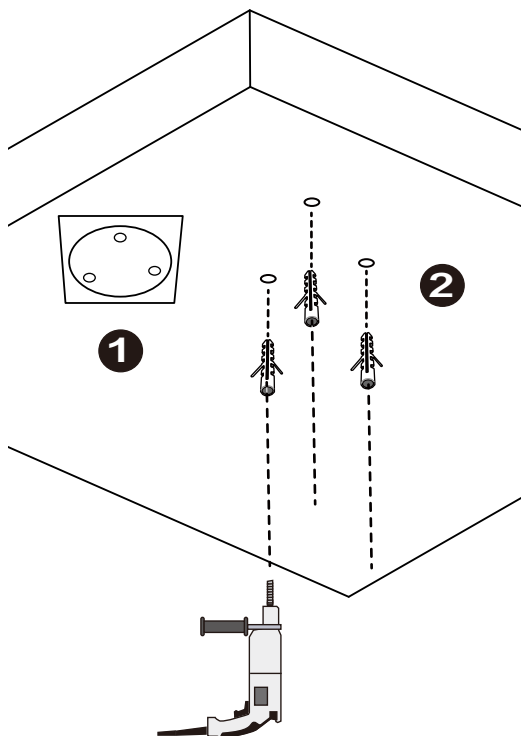
Below is a sample procedure using a Pendant pipe:

1. Determine a hard surface ceiling location, and use the included alignment sticker for marking three mounting holes as where holes will be drilled to secure the pendant head.

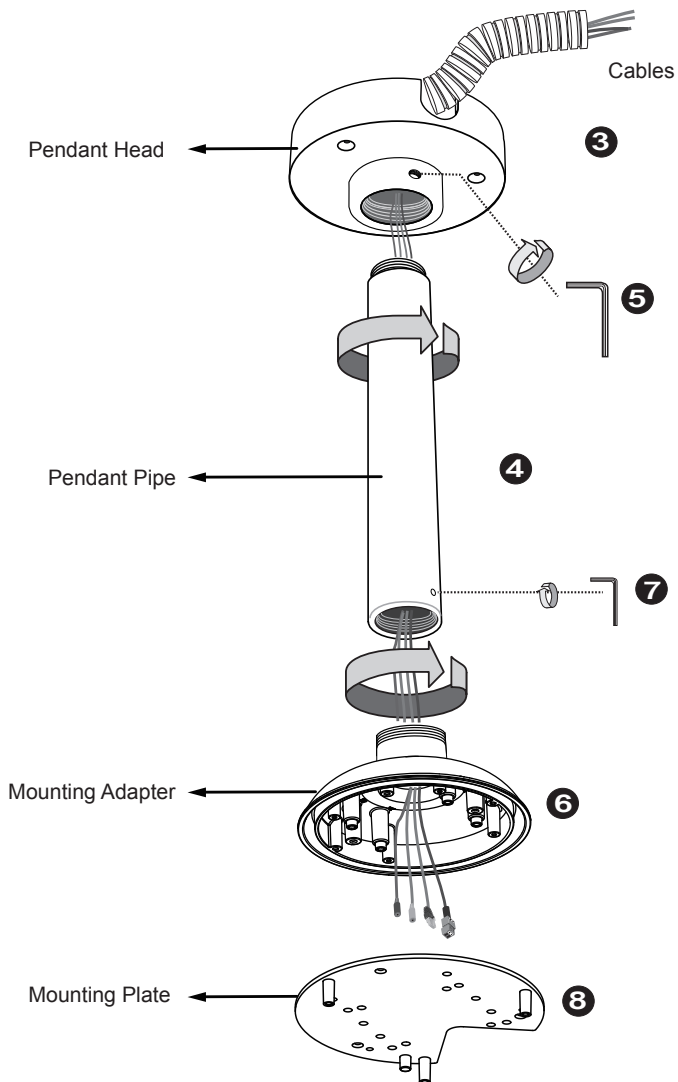
Shown below are the dimensions using a 40cm pendant pipe (AM-117).



2. Locate the position where you want to install the pendant pipe and camera. Drill holes on the ceiling for securing the pendant head. Secure the pendant head by hammering anchors into the ceiling and then fasten screws through it. Drill holes 10mm in diameter and 60mm deep.



3. Route power lines and other cables through the side opening and a 1-inch conduit (user-supplied), and through the pendant pipe.
4. Secure pendant pipe to the pendant head by rotating it clockwise until it is tightly fastened.



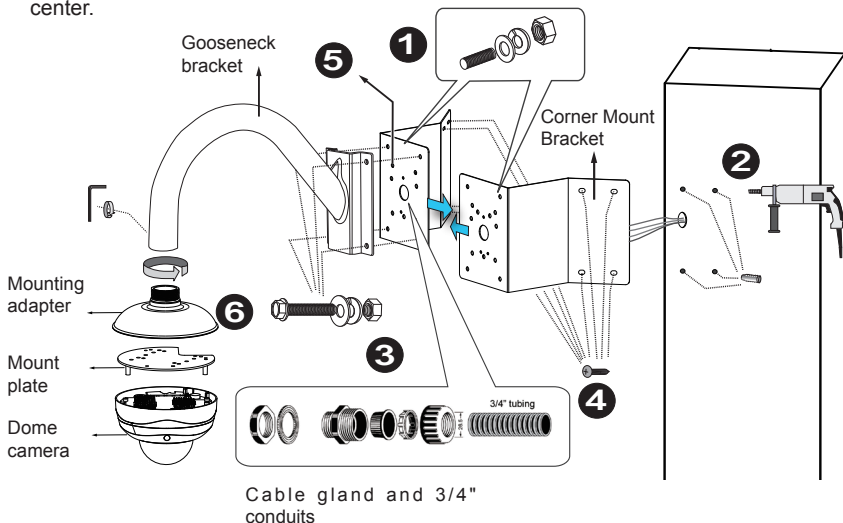
5. Secure the connection using the included hex wrench.
6. Attach mounting adapter to the pendant pipe by rotating it clockwise until it is tightly fastened.
7. Secure the connection using the included hex wrench.
8. For models using the A holes (please refer to the mounting hole diagram on page 8), secure its mounting plate to the mounting adapter above.
  - For the indoor models, mounting plates are not necessary.
  - For outdoor models - secure the camera to the mounting plate.
  - For indoor models -secure the camera directly to the mounting adapter.

When cabling is done, proceed with initial setup such as enabling network access, focus tuning, or zooming. When done, secure the outer dome cover.

### 3-4. Corner Mount Installation

Below is a general, sample procedure using a Corner mount bracket:

1. Combine the two brackets together using the included nuts and washers.
2. Align the assembled brackets with the desired position. Align screw holes on the brackets against the wall. Drill holes on the wall for securing the bracket and for routing the cables. Hammer anchors into the wall. Wall anchors are user-supplied.
3. Route power lines and other cables through the included cable gland, conduits (separately purchased), and install the cable gland to the brackets' through hole in the center.



#### IMPORTANT:

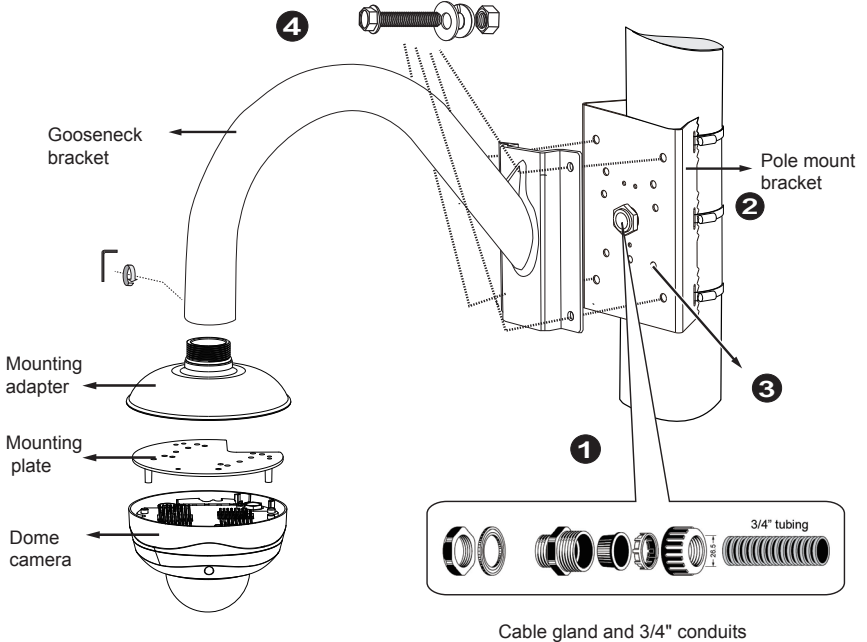
The screws and mounting surface must be able to support a weight of 6 kg.

4. Secure corner mount brackets to the wall. Screws are user-supplied.
5. Fill the unused holes on the bracket with the included silicone stoppers.
6. Use the included hex bolts, washers, and nuts to secure the gooseneck to the corner mount bracket.
7. The rest of the mounting procedure is identical to those described in the **Gooseneck installation on page 7**.

### 3-5. Pole Mount Installation

Below is a general, sample procedure using a Pole mount bracket:

1. Route power lines and other cables through the included cable gland, pass them through conduits (separately purchased), and install the cable gland to the pole mount bracket.
2. Locate the position where you want to install the pole mount bracket and camera. Unwrap the stainless belts, feed them through the openings on the sides of the bracket, and then strap them around the pole. Use a pincer and flathead screwdriver to fasten the bracket to the pole.
3. Fill the unused screw holes using the included silicone stoppers.



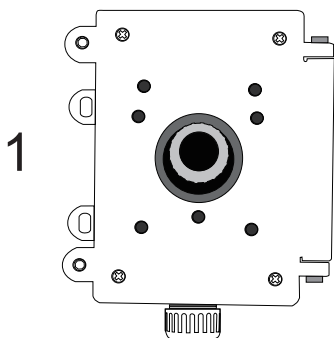
4. Secure the gooseneck bracket using the included hex bolts, washers, and nuts.

The rest of the mounting procedure is identical to those described in the **Gooseneck installation on page 7**.

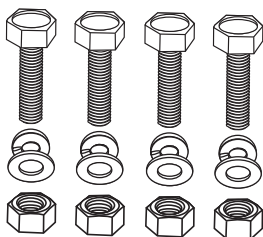
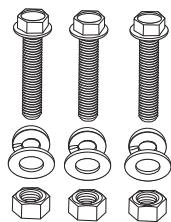
### 3-6. Junction Box Installation

Below are the package contents of the AM-711 junction box:

1. Junction box.
2. Screws for box type brackets.
3. Hex wrench.
4. Screws for speed dome type brackets or housings.

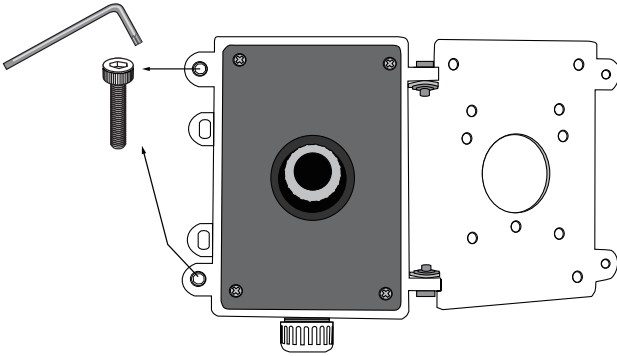


A 3/4" conduit is required for the waterproof connector in the center, and another 1-inch conduit should be fitted to the bottom connector.

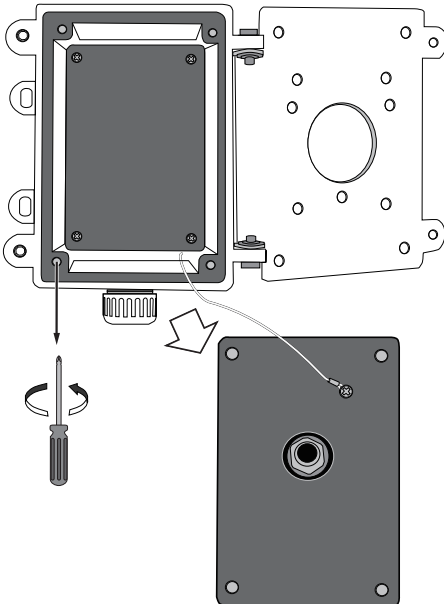


Below is a general, sample procedure using a junction box:

1. Use the included hex wrench to remove the socket head cap screws, and then open the front panel.

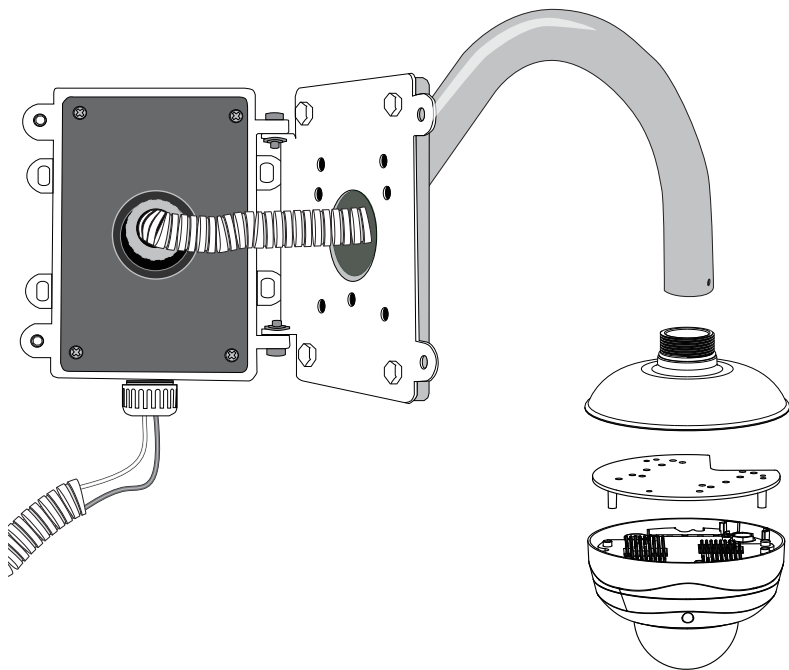


2. Use a Phillips screwdriver to loosen and remove the middle plate in the junction box. Feed cables and install accessories, such as power adaptors and PoE injectors, through the box and the waterproof connectors on the box.

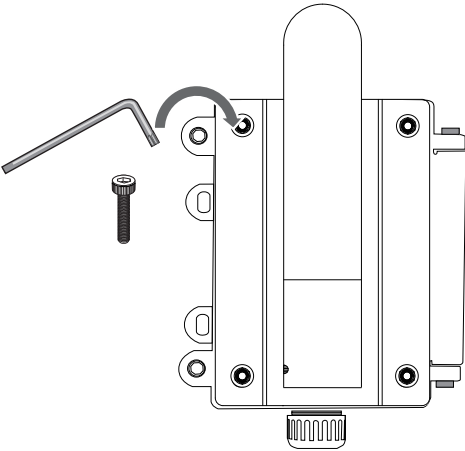




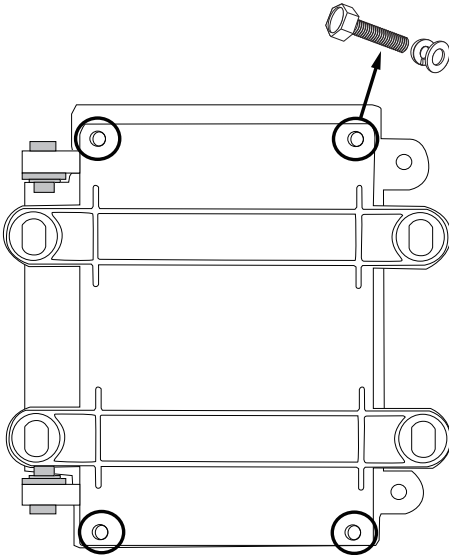
3. Use the included hex head bolts to secure a gooseneck bracket to the junction box.
4. cables should have been connected and routed through the waterproof connectors. Cable conduits should also be installed.



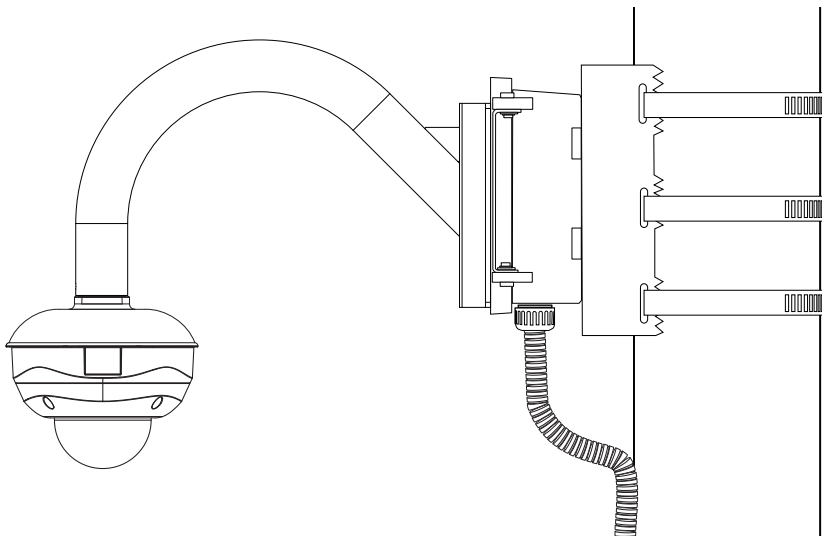
5. Use the included hex wrench to fasten the socket head screws for the front door.



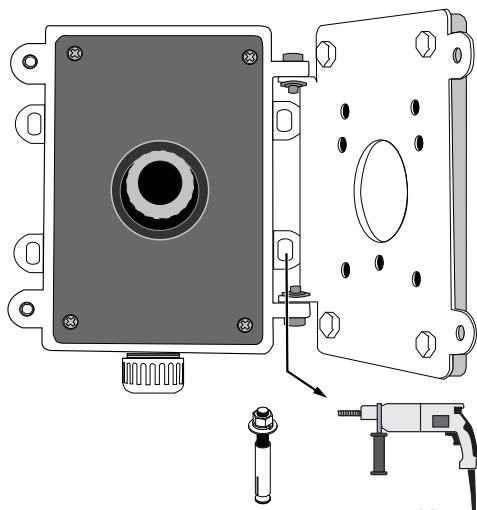
6. Use the 4 mounting holes on the back of the junction box to attach a pole mount or a corner mount bracket to the box. See previous discussions for details.



7. You should then attach the junction box, along with the camera, to a pole-mount or corner-mount position. A pole-mount installation is shown below.



You may also mount the junction box to a wall. The mounting holes on the right hand side is accessible when the front door is opened, and the anchors and screws are user-supplied. .



This page is intentionally left in blank.