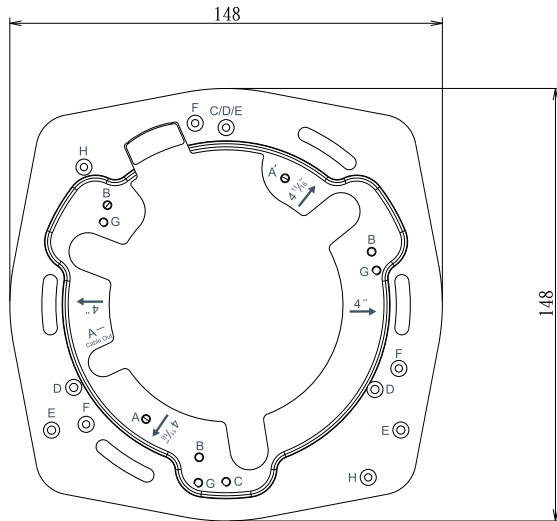


AM-517 Adaptor Bracket User Guide

Rev. 1.3

I Overview

This is an adaptor bracket for fixed dome and fisheye cameras. The bracket is designed for installing cameras to U.S. standard 4 in. and 4 11/16 in. metal junction boxes. See below for the supported models.



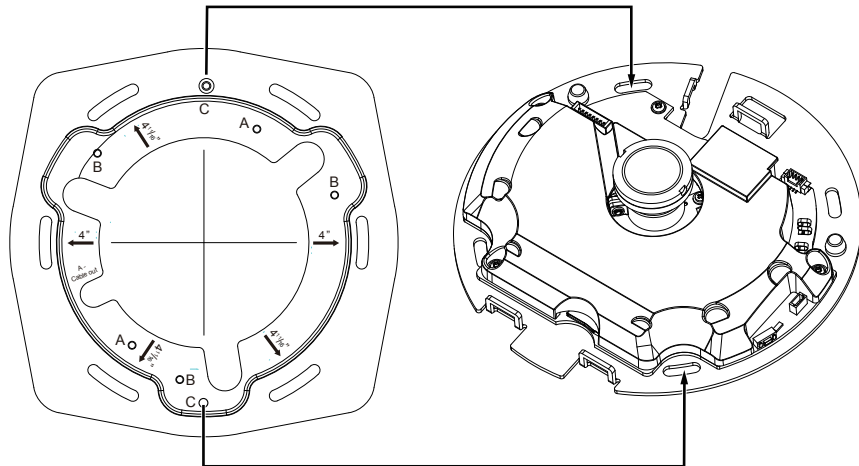
Type A - FD8133, FD8134, FD8131
 Type B - FD8133V & FD8134V, FD8131V
 Type C - FE8172 & FE8173
 Type D - FD8167, FD8167-T, FD8138
 Type E - FD8367-V, FD8367-TV, FD8338-HV
 Type F - FD8164V, FD8137-HV, FD8154V
 Type G - FD8164, FD8154, FD8169
 Type H - FE8181, FE8191

Mounting Holes Definitions

1. Use the long, curved, slotted openings around the bracket for securing to junction boxes. The 3 proportionally spaced mounting holes, Type B, are for mounting the FD8133V, FD8134V, and FD8131V. These cameras can be aligned and mounted in 3 different orientations.
2. Note that the FD8133, FD8134, and FD8131 can only be mounted using the 2 holes marked in the drawing above, Type A.

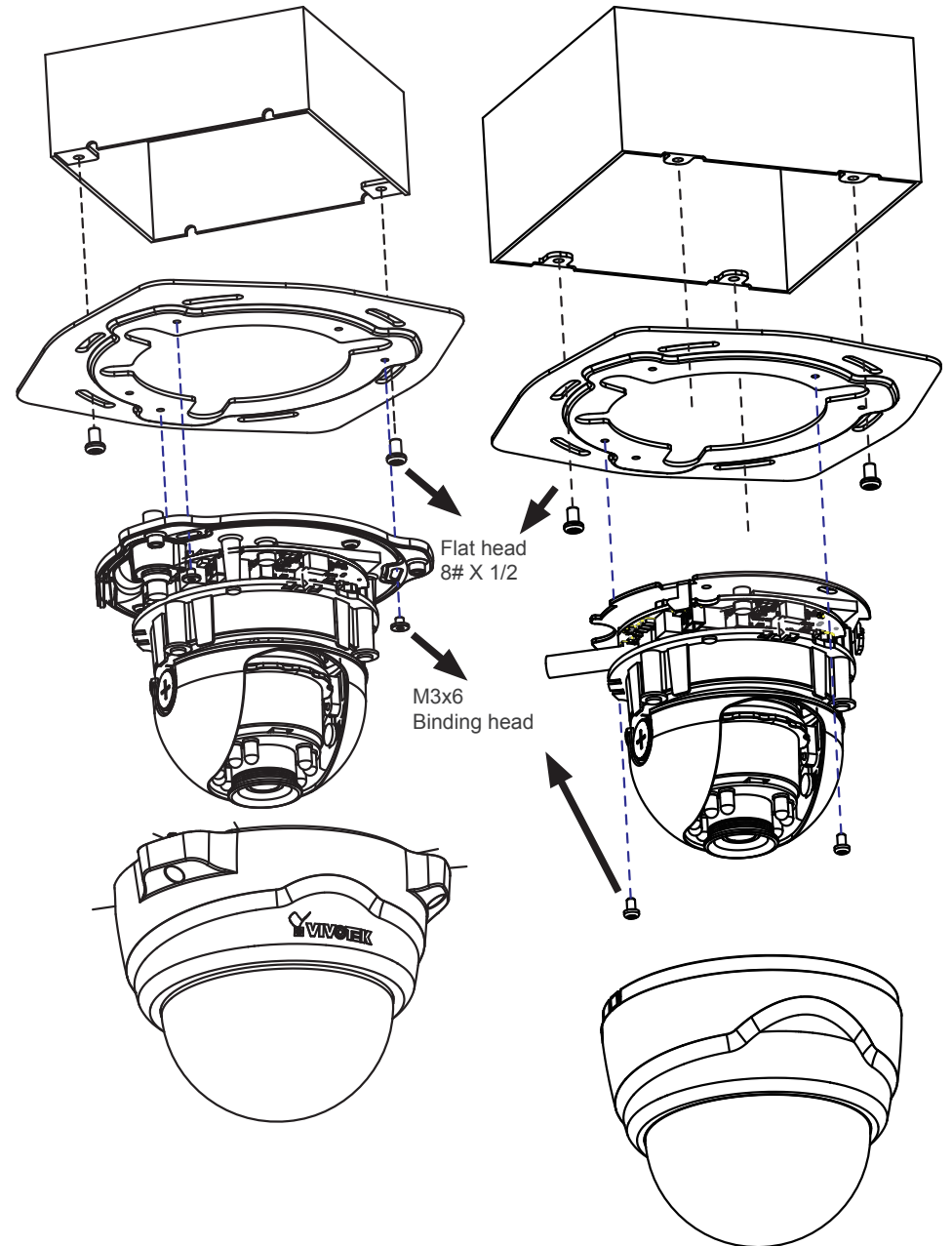
You can install the indoor FE8172 and 8173 fisheye cameras using the C holes.

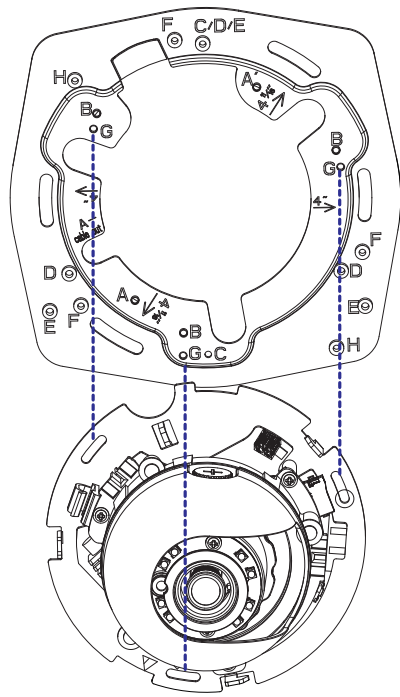
1. Align the camera's screw slots with the C holes.
2. Use the included M3 screws to secure camera to bracket.



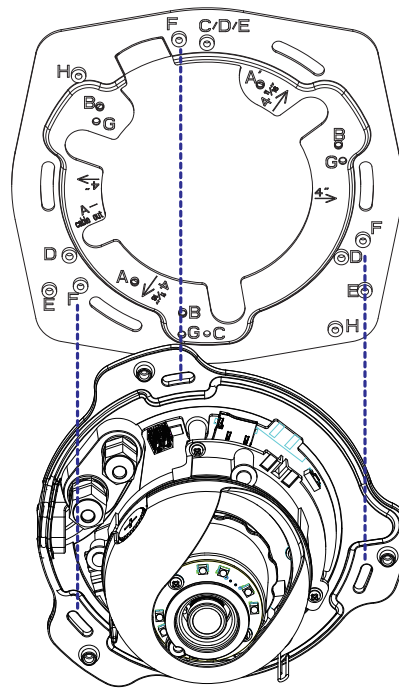
Ceiling Mount: 4 in. or 4 11/16 in. junction box

Ceiling Mount: 4 11/16 in. junction box

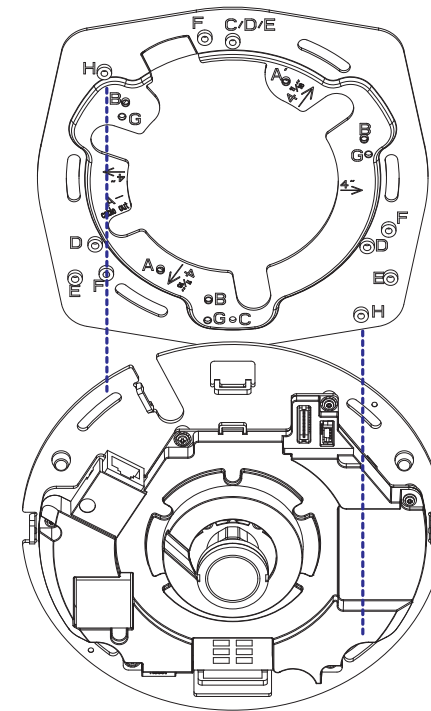




FD8137H
FD8154
FD8164



FD8137HV
FD8154V
FD8164V



FE8181
FE8191

II Installing Cameras with the Bracket

Included Screws

Item	Description	Qty	Apply to
1	M3X6 binding head machine screw, black	3	Camera
2	Flat head 8# x1/2, (head height 1.8mm)	2	Junction box
4	Pan head M3 x 5	2	AM-518

Installation Steps

- Use the included machine screws to fasten the bracket to a junction box. See drawings on the right.
NOTE: For junction boxes that have 4 mounting holes, use any 2 of the diagonal holes. 2 screws are enough to support the weight of the camera.
- Route cables through the opening.
- Secure the camera to the bracket using 3 (Type B for FD8133V & FD8134V), 2 (Type A for FD8133 & FD8134), or 2 (Type C for FE8172/8173) of the mounting holes.
- Connect the cabling, use the Ethernet connection to open a web console. Adjust the camera's shooting angle, focus, and zoom. When done, install the dome cover.

Attached to AM-518 Mount Adaptor

You can also use the adaptor bracket to mount the FD series cameras to the AM-518 adaptor, and then to a wall mount bracket, or even to a pendant pipe.

For details using the AM-518 adaptor, please refer to its Installation Guide.

To attach the adaptor, align the slotted openings on the bracket with the mounting holes that come without alphabetic marks on the AM-518 adaptor, and drive screws through it. You may then install cameras to the bracket.

