

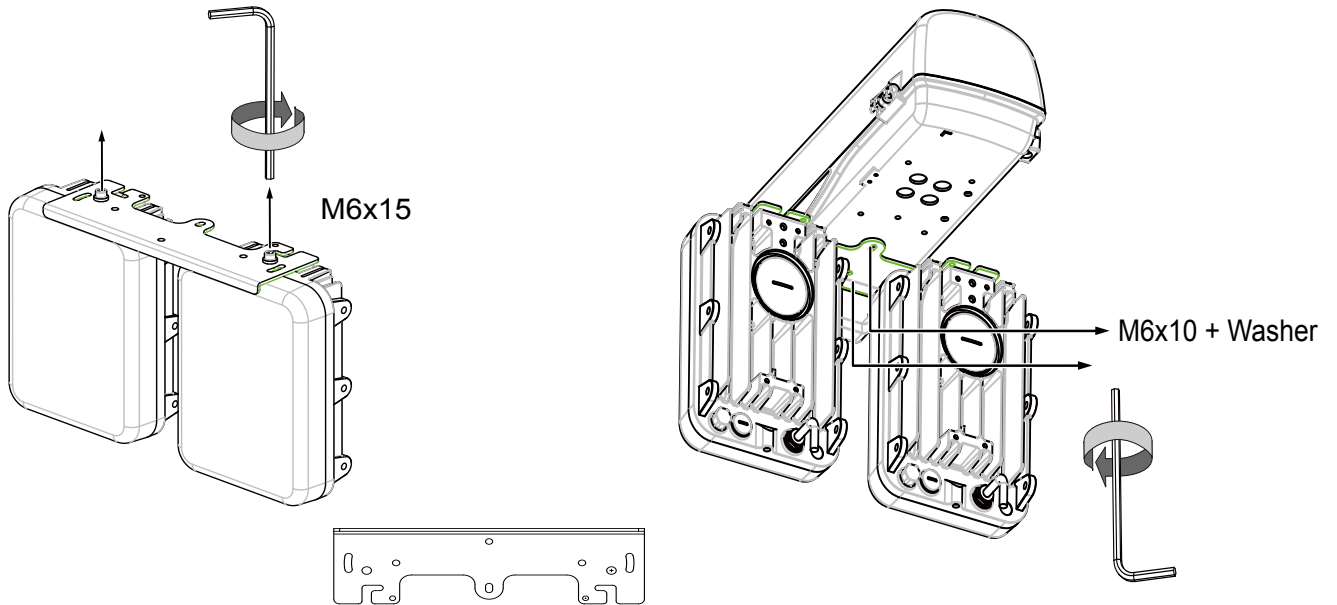
AM-219 Installation Guide

Rev. 1.2

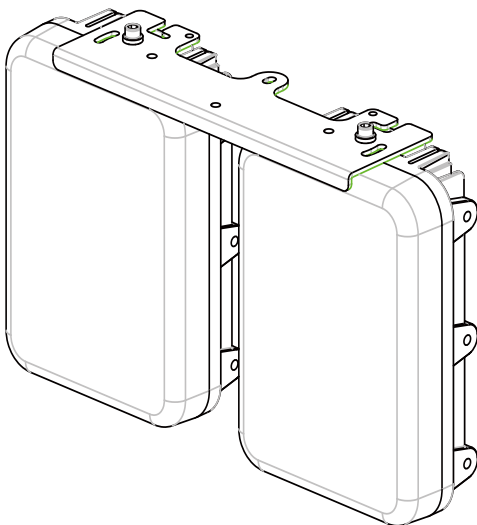
No. of illuminators	Applicable enclosures:	Adjustable Angle	Included screws
Type 1	AE-237, AE-241, AE-242	N/A	M6x15*2pcs / M6x10*2pcs / Washer*2pcs
Type 2	AE-237, AE-241, AE-242	Yes, w/ U bracket	M6x15*8pcs/ M6 nut*4pcs/ M6x10*2pcs/ Washer*2pcs

Type 1 Installation (w/o U-bracket):

1. Secure the CMA-B02 to two CaMate illuminators.
2. Secure the illuminator to the bottom of enclosure.

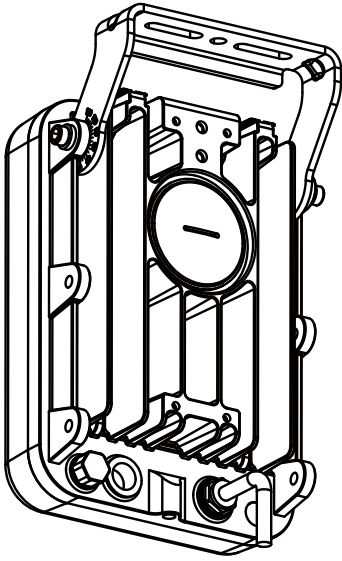


3. Use the different holes indicated below for installing 2 or 3 illuminators.

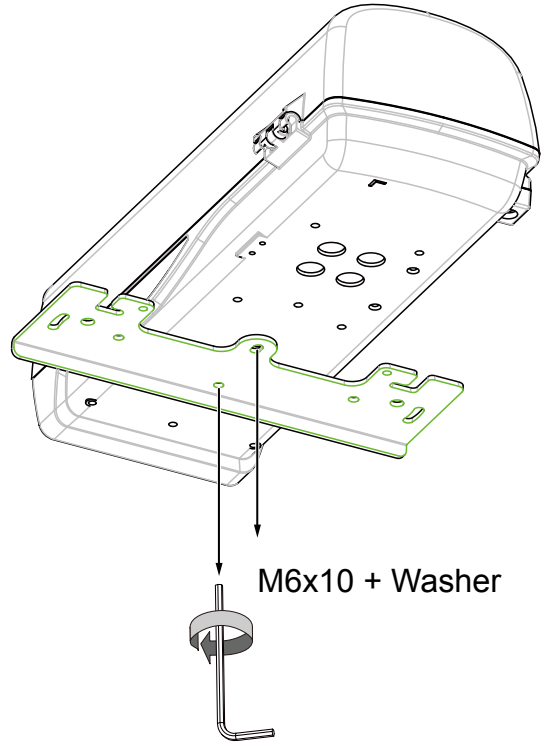


Type 2 Installation (w/ U-bracket):

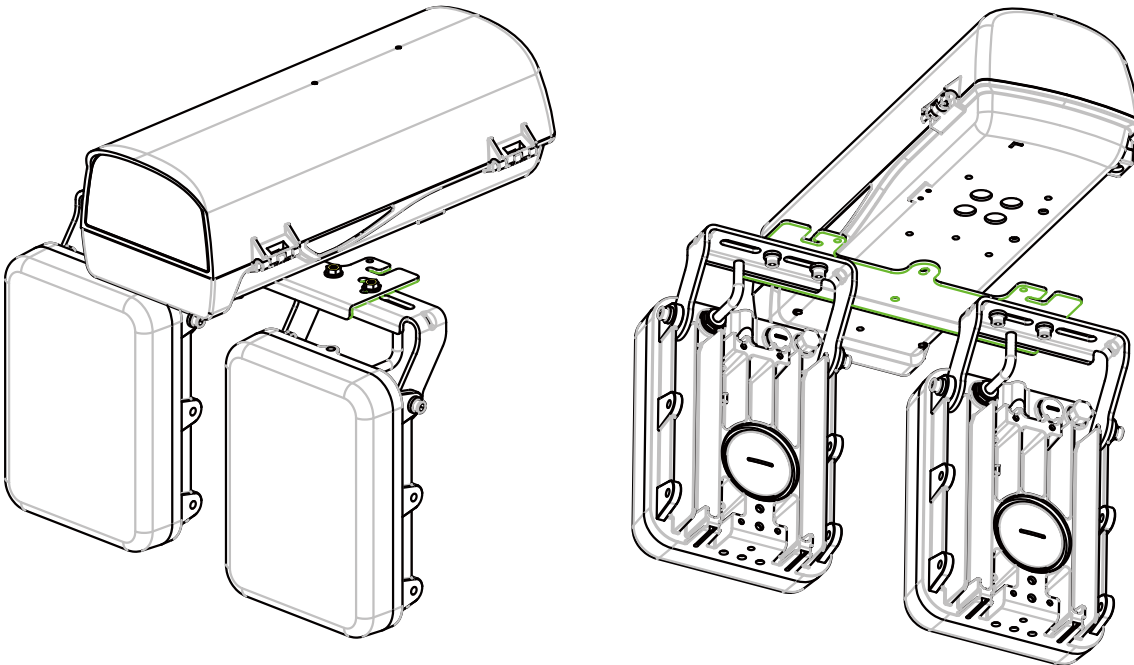
1. Install the U bracket to the illuminators using the M6x1 socket screws.



2. Secure the bracket to the bottom of the enclosure.



3. Secure two or three illuminators to the mounting bracket.



4. Adjust the illuminators' tilt angles if necessary.