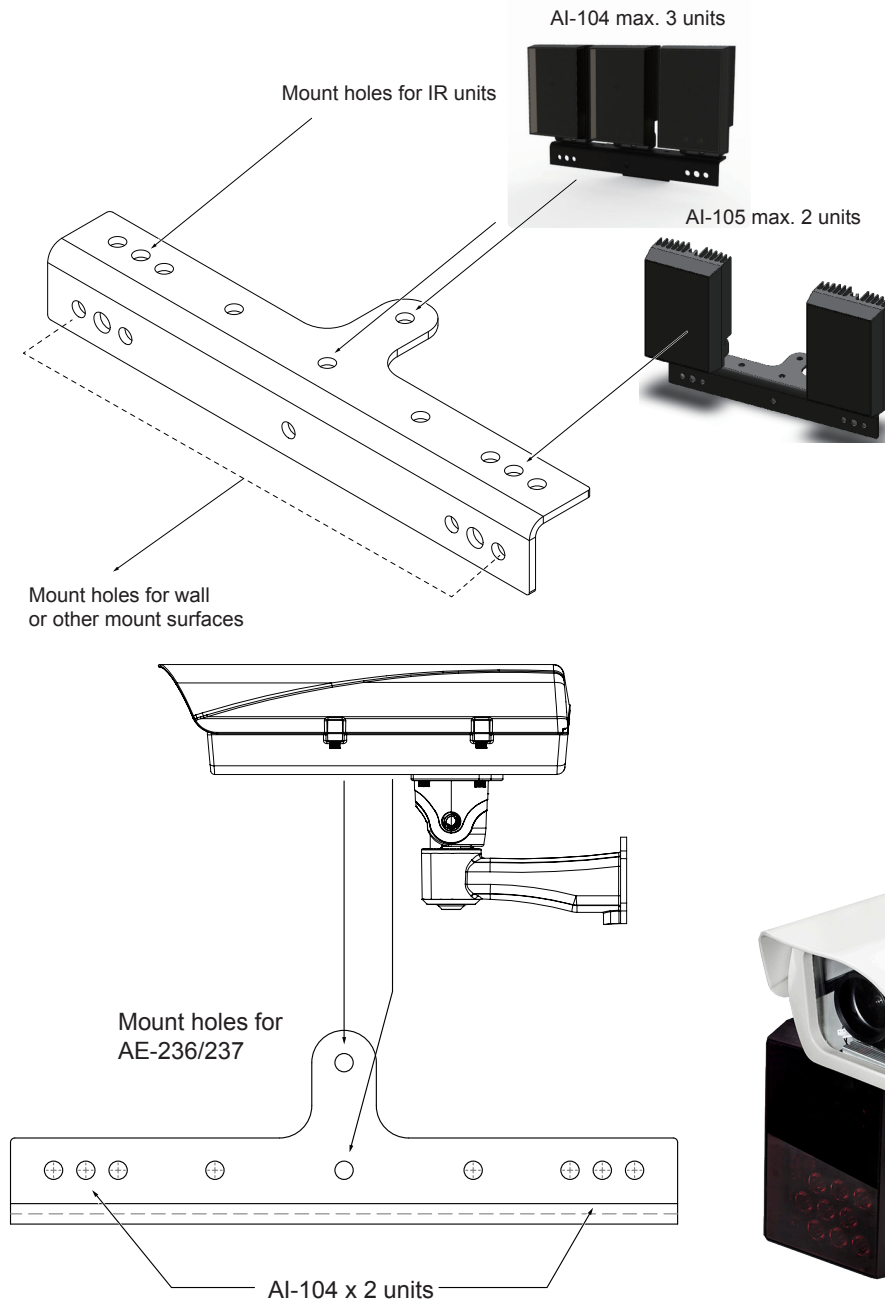


**Quick Installation Guide**

**PACKAGE CONTENTS**

* 1x AM-219 bracket	
---------------------	--



**SPECIFICATIONS:**

Length	310mm
Max. load	12kg
Net weight	0.7kg

All specifications are subject to change without notice.  
Copyright © 2015 VIVOTEK INC. All rights reserved.