

AW-GET-083A-120 Outdoor PoE Switch Quick Installation Guide

INTRODUCTION

The AW-GET-083A-120 is a 4 port 10/100/1000BaseT PoE switch capable of feeding 15.4/30W (54V max. per port) power to Power over Ethernet (PoE) devices. It comes with another 2x GbE Ethernet and 2x GbE SFP port. The switch is capable of a total of 120 Watts PoE power budget.

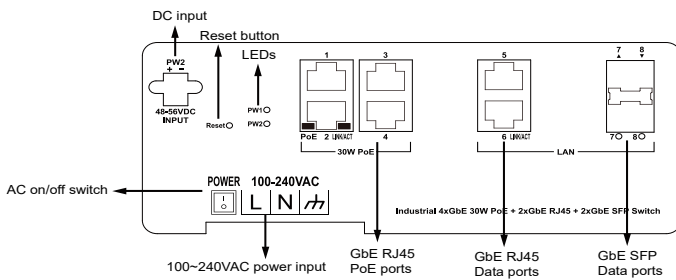
PACKAGE CONTENTS

| | |
|------------------------------------|-------------------------------|
| * 1x PoE switch | * 1x Quick Installation Guide |
| * 1x T30 L-wrench, 4x wall anchors | |

⚠ IMPORTANT:

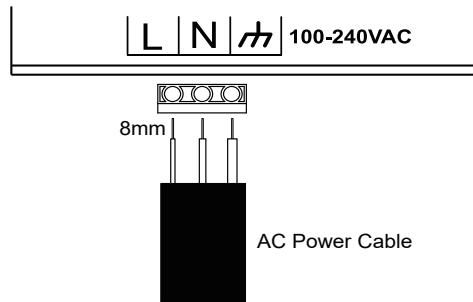
1. Install the PoE switch in a ventilated and dry place that is free of electromagnetic source, vibration, moisture, and dust.
2. Make sure the ventilation openings on the switch are not blocked.
3. Use CAT5 or 5e UTP/STP cables.
4. AC input (100~240V/AC, 50~60Hz), for a max. consumption of 150W.

CONNECTION



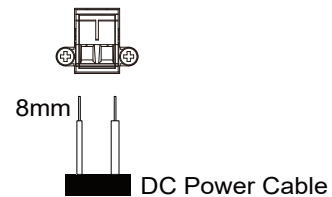
AC Power Cable Spec.

| | |
|-------------------|----------|
| Wire Size | 10~18AWG |
| Wire Strip Length | 8mm |



DC Power Cable Spec.

| | |
|-------------------|----------|
| Wire Size | 10~18AWG |
| Wire Strip Length | 8mm |



LED DEFINITIONS

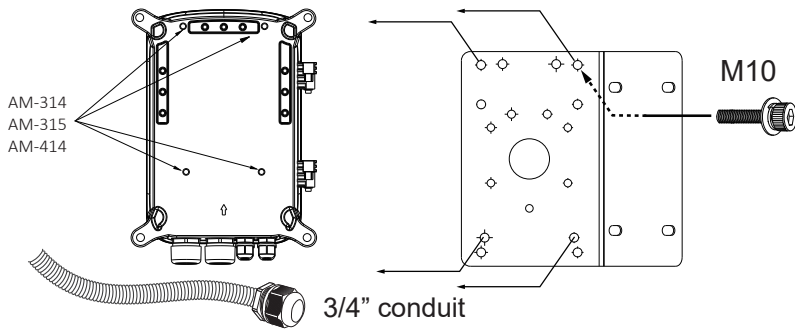
| | | |
|------------------------|----------------|--|
| Power PW1/PW2 | Green ON | Power is on and normal. |
| SFP port Green | Green ON | Fiber is aeeached. |
| | Green Flashing | Data is being transmitted / received. |
| LAN ports Green | Green ON | TX link is detected. |
| | Green Flashing | Data is being transmitted or received. |
| PoE ports Amber | Amber ON | PSE is activated and PD is detected. |
| | Amber OFF | PoE OFF |

RESET

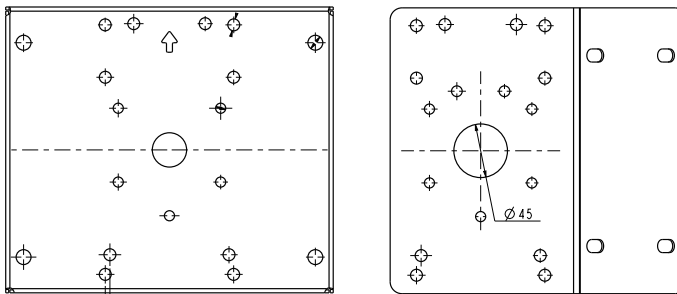
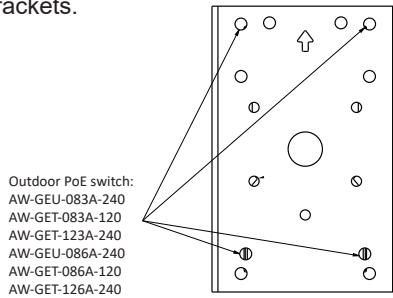
| | | | |
|------------------|-----------|----------------|--------------|
| Reset the switch | 3 seconds | Blinking Green | All LEDs off |
|------------------|-----------|----------------|--------------|

INSTALLATION

Use the included M10 hex socket screws to secure the power box to a pole-mount or corner mount bracket.

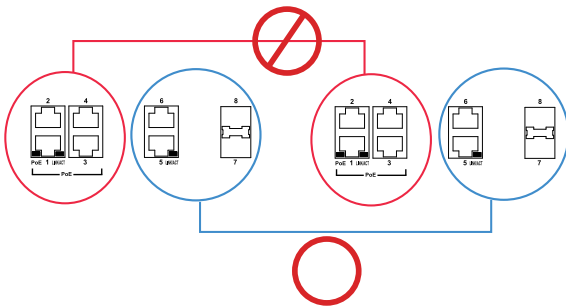


The mounting hole definition is illustrated below. The same mounting hole pattern apply to all pole-mount and corner-mount brackets.

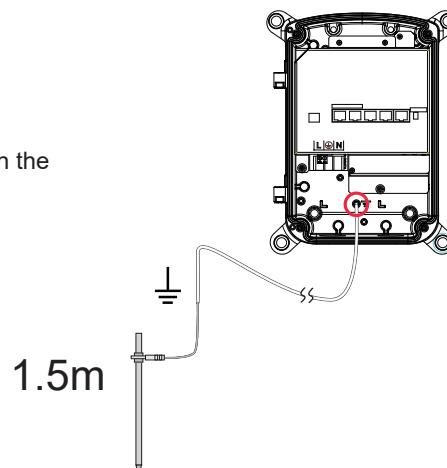


⚠ IMPORTANT:

1. If the need should arise for connecting two outdoor switches, use the uplink ports #5 ~ #8. If you use PoE ports for cross-switch connections, the 12KV surge protection will not apply.



2. The cabinet must be grounded using a ground wire between the ground screw and earth ground.



All specifications are subject to change without notice.
 Copyright © 2017 VIVOTEK INC. All rights reserved.