

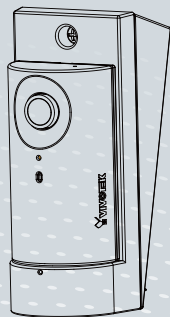


CC8130 Compact Cube
Network Camera

Quick Installation Guide

English | 繁體中文 | 簡體中文 | 日本語 | Français | Español | Deutsch | Português | Italiano | Türkçe | Polski | Русский | Česky | Svenska
Nederlands | Dansk | Indonesia | العربية

1MP • Stylish Design • Panoramic View



Warning Before Installation

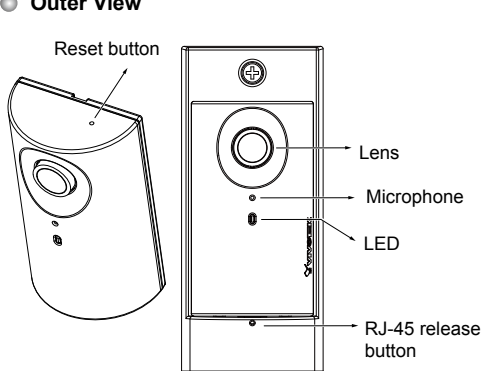
- Power off the Network Camera as soon as smoke or unusual odors are detected.
- Do not place the Network Camera on unsteady surfaces.
- Do not insert sharp or tiny objects into the Network Camera.
- Keep the Network Camera away from water. If the Network Camera becomes wet, power off immediately.
- Do not touch the Network Camera during a lightning storm.
- Do not place the Network Camera in high humidity environments.

1. Package Contents

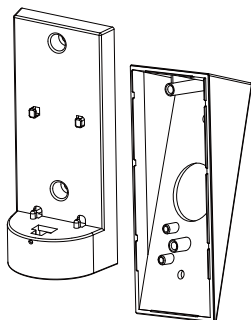
- CC8130
- Quick Installation Guide / Warranty Card
- Screws / Mount bracket
- Software CD

2. Physical Description

● Outer View



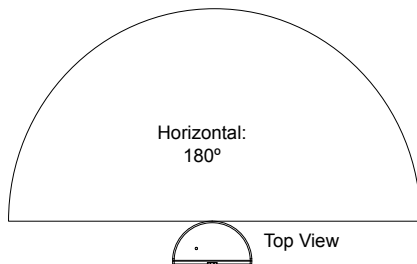
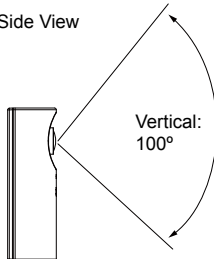
Camera bracket



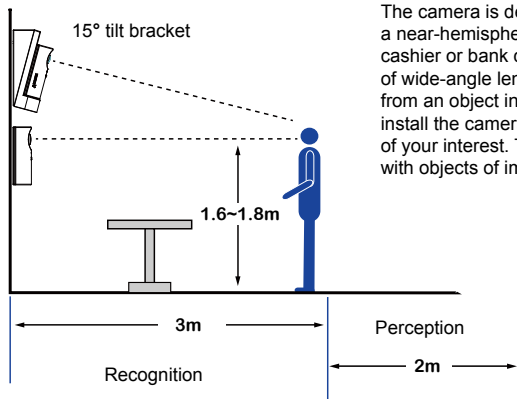
3. Considerations

Camera View Coverage

Side View



Installation Concern



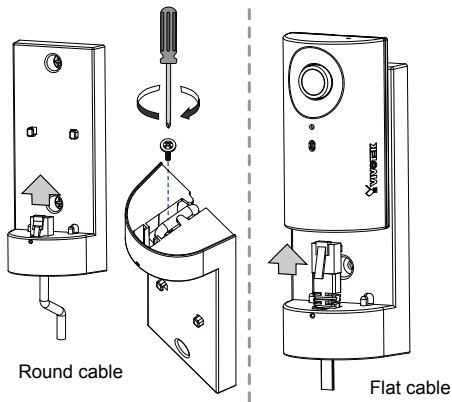
The camera is designed to capture human activities in a near-hemispheric field of view, at a place such as a cashier or bank counter. Due to the optical characteristics of wide-angle lens, image quality decreases as distance from an object increases. It is therefore recommended to install the camera within 3 meters or closer to the objects of your interest. The focus center should also be aligned with objects of importance, say, human faces.

4. Hardware Installation

● Connecting Ethernet Cable

1. Insert your Ethernet cable through the opening at the bottom of the camera bracket.
2. If using a round cable: When the RJ-45 plug is fully inserted, use the round-head screw with a washer to secure its position from the bottom of the bracket.

If using a flat cable: Pass the cable through the opening and attach to camera.



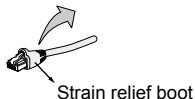
⚠ IMPORTANT:

Record the MAC address before installing the camera.



✎ NOTE:

It is recommended to use an Ethernet cable that comes without the strain relief boot. You can remove the boot if your cable comes with one.



Strain relief boot

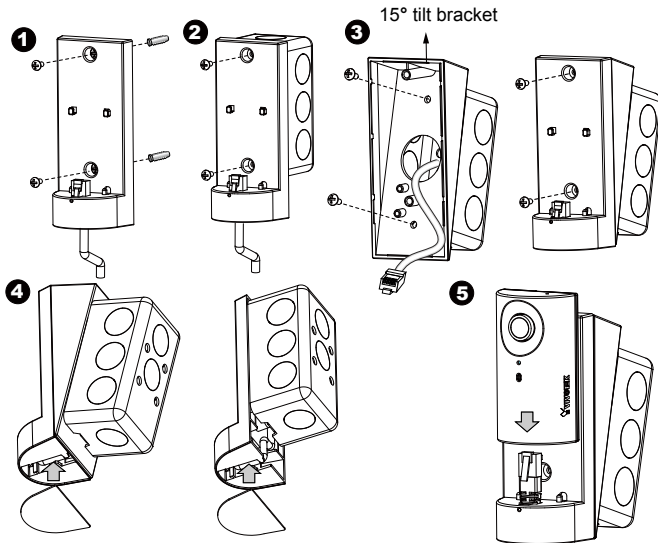
✎ NOTE:

To detach a camera, remove the retention screw from the bottom, and insert a straightened paperclip into the release button to press on the RJ-45 locking tab.



Mounting the Network Camera - Wall Mount

1. You can install the camera to a vertical surface by driving screws through the holes shown below.
2. You may also install the bracket to a 4" x 2" utility box (as outlet or switch socket).
3. Another option is using the 15° tilt bracket so that the camera can be installed to an over-looking position. Attach the bracket to a utility box, and then secure the mount bracket. You can route the cable through the hole in the middle.
4. Attach a rubber seal pad to the bottom of the mount bracket.
5. Install the camera. Make sure the RJ-45 connector is properly connected.

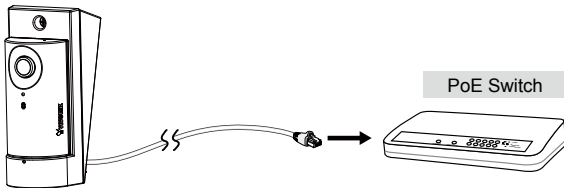


5. Network Deployment

Power over Ethernet (PoE)

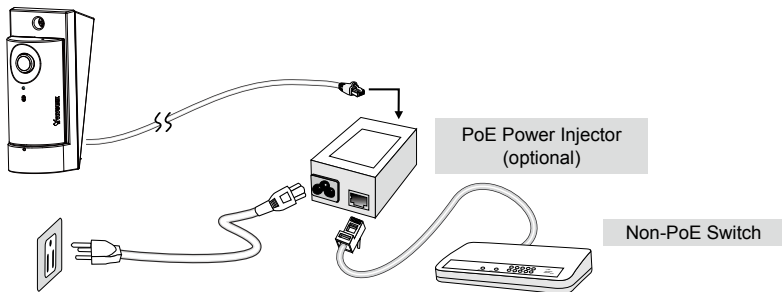
● When using a PoE-enabled switch

This Network Camera is PoE-compliant, allowing transmission of power and data via a single Ethernet cable. Follow the below illustration to connect the camera to a PoE-enabled switch via an Ethernet cable.



● When using a non-PoE switch

Use a PoE power injector (optional) to connect between the Network Camera and a non-PoE switch.



6. Assigning an IP Address

1. Install "Installation Wizard 2" from the Software Utility directory on the software CD.
2. The program will conduct an analysis of your network environment. After your network is analyzed, please click on the "Next" button to continue the program.
3. The program will search for VIVOTEK Video Receivers, Video Servers, and Network Cameras on the same LAN.
4. After a brief search, the main installer window will pop up. Double-click on the MAC address that matches the one printed on the camera label or the S/N number on the package box label to open a browser management session with the Network Camera.



7. Ready to Use

1. A browser session with the Network Camera should prompt as shown below.
2. You should be able to see live video from your camera. You may also install the 32-channel recording software from the software CD in a deployment consisting of multiple cameras. For its installation details, please refer to its related documents.

For further setup, please refer to the user's manual on the software CD.



P/N:625022000G Rev. 1.0

All specifications are subject to change without notice.

Copyright © 2013 VIVOTEK INC. All rights reserved.



VIVOTEK INC.

6F, No.192, Lien-Cheng Rd., Chung-Ho, New Taipei City, 235, Taiwan, R.O.C.
| T: +886-2-82455282 | F: +886-2-82455532 | E: sales@vivotek.com

VIVOTEK Netherlands B.V.

Busplein 36, 1315KV, Almere, The Netherlands
| T: +31 (0)36 5389 149 | F: +31 (0)36 5389 111 | E: saleseurope@vivotek.com

VIVOTEK USA, INC.

2050 Ringwood Avenue, San Jose, CA 95131
| T: 408-773-8686 | F: 408-773-8298 | E: salesusa@vivotek.com