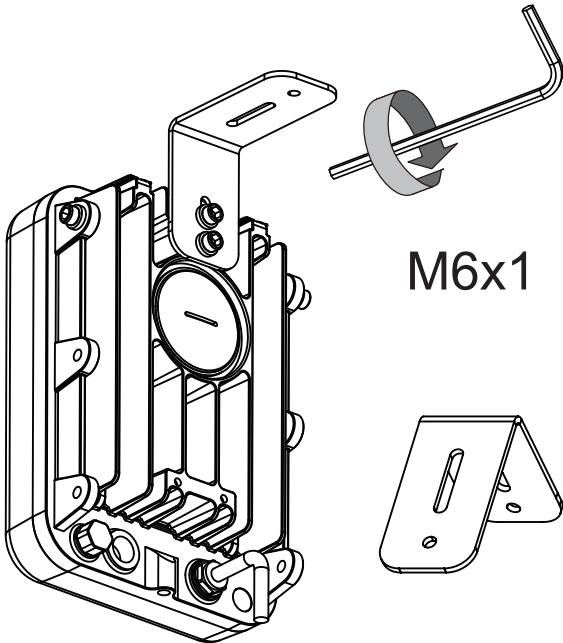


CMA-B01 Installation Guide

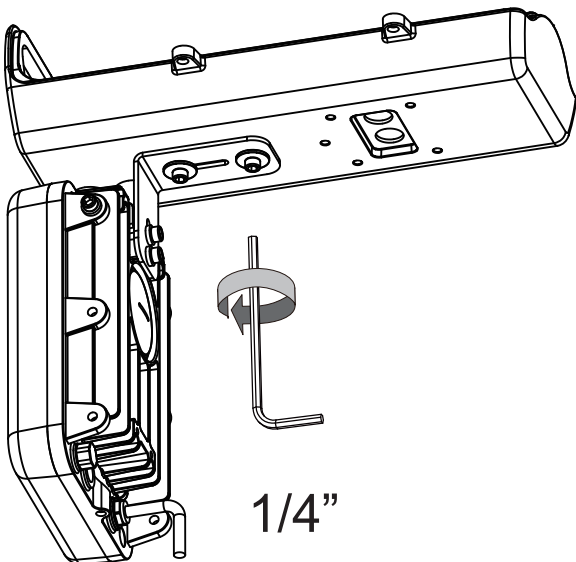
Rev. 1.0

Applicable enclosures: AE-237, AE-241, AE-242	Included screws Hex socket: M6x1 x2, 1/4" x 2, washer x2
--	---

1. Secure the CMA-B01 to the CaMate illuminator.



2. Secure the illuminator to the bottom of enclosure.



This page is intentionally left blank.