



Day/Night Vandal-Proof Network Dome Camera

FD6112V/FD6122V

Quick Installation Guide

This guide describes the basic functions of FD6112V/FD6122V. All detailed information is described in the user's manual.

6F., No. 192, Lien-Cheng Rd., Chung-Ho, Taipei County, Taiwan
Tel: +886-2-8245-5282 Fax: +886-2-8245-5532
E-mail: sales@vivotek.com <http://www.vivotek.com>

1 Check Package Contents

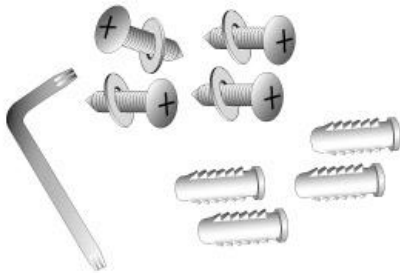
● FD6112V/FD6122V



● Power Adapter



● Screw Pack



● Software CD



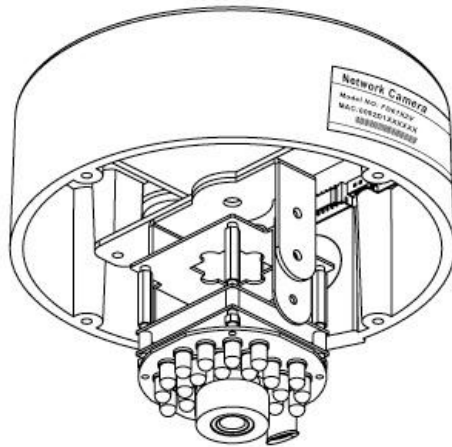
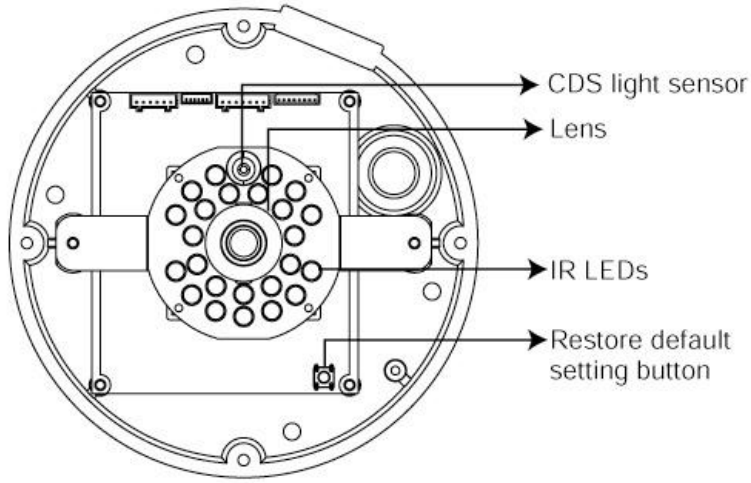
● Quick Installation Guide



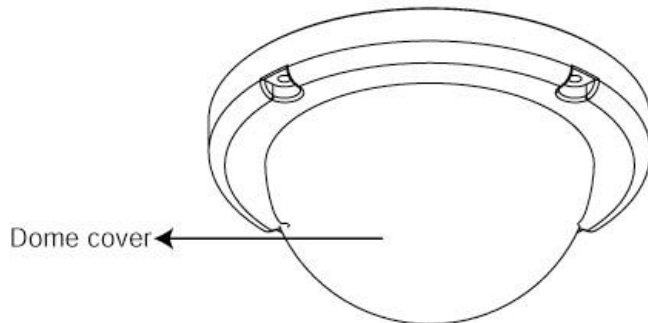
● Warranty Card



2 Physical Description



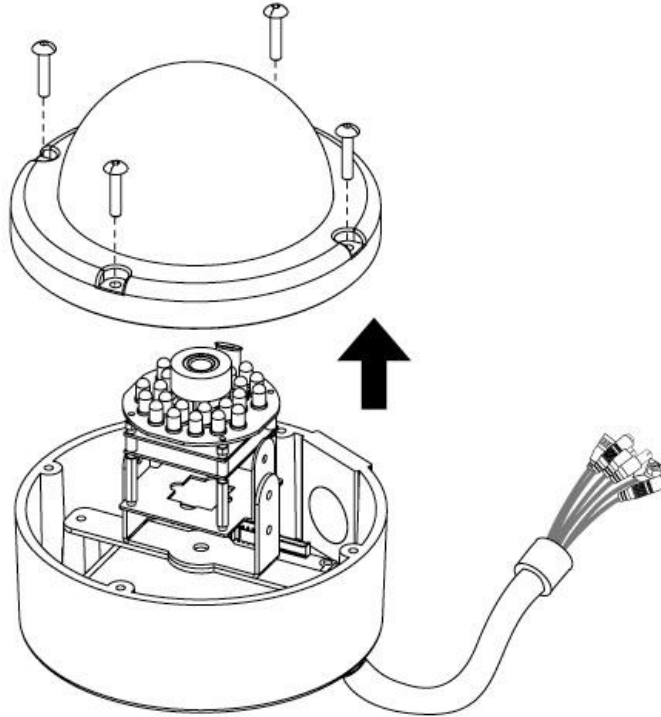
Note the serial number on the label of the unit.
The serial number is the same as the Ethernet address,
for example: 0002D1000012=00-02-D1-00-00-12



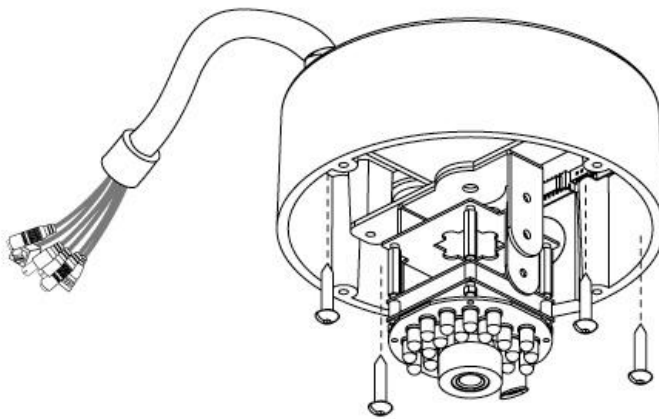
Dome cover

3 Installation

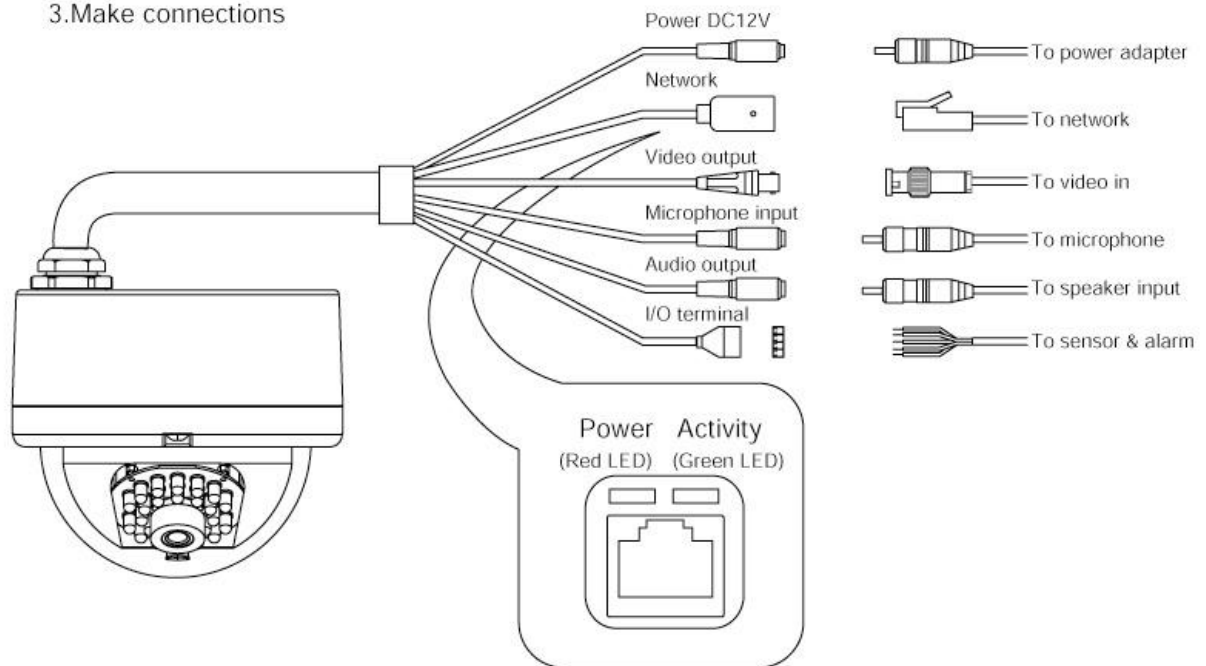
1. Use the supplied wrench to remove the dome cover



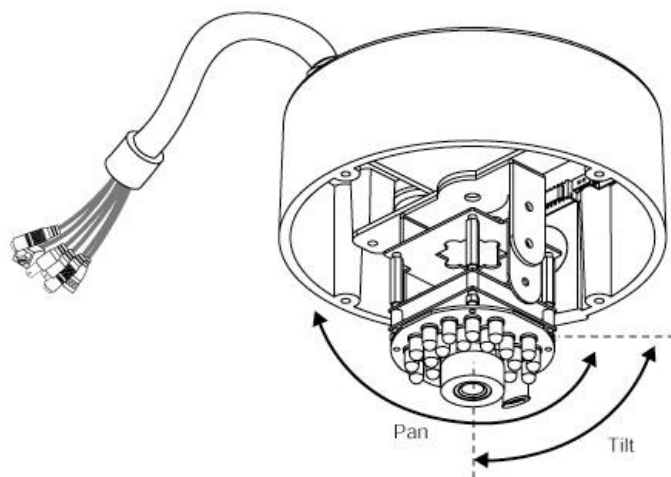
2. Fix the camera to the wall/ceiling with four supplied screws



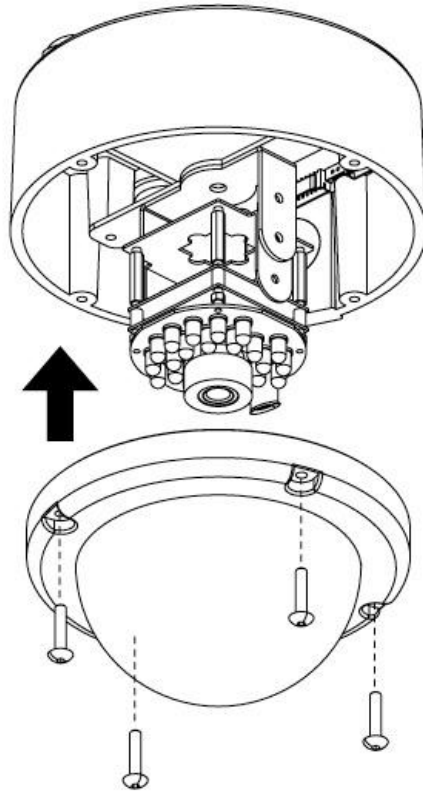
3. Make connections



4. Use the pan/tilt mechanism to set the camera to a proper position



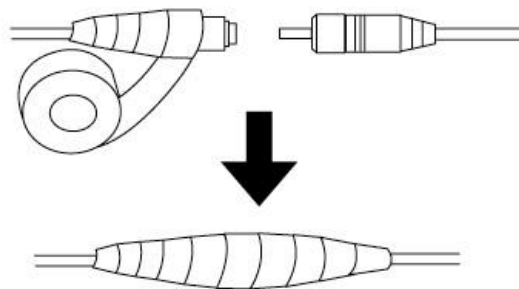
5. Attach the dome cover back to the camera



* Waterproof Process

To completely avoid the camera from water soak, apply waterproof process if necessary.

- Utilize silicone clay or similar waterproof material applied to the screws, screw holes and other necessary portions.
- Tape the junction points of the connectors on the cable.

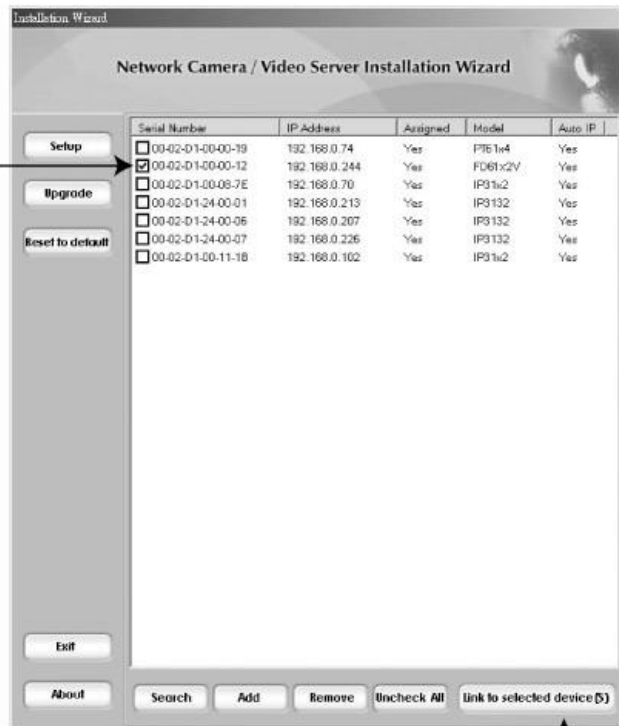


4 Assign IP Address

- 1.Run the "Installation Wizard" under "Utility" directory on the software CD.
- 2.The program will search Vivotek Video Servers or Network Cameras on the same LAN.



- 3.After searching, the main installer window will pop up. Click on the serial number that matches your Network Camera's serial number.

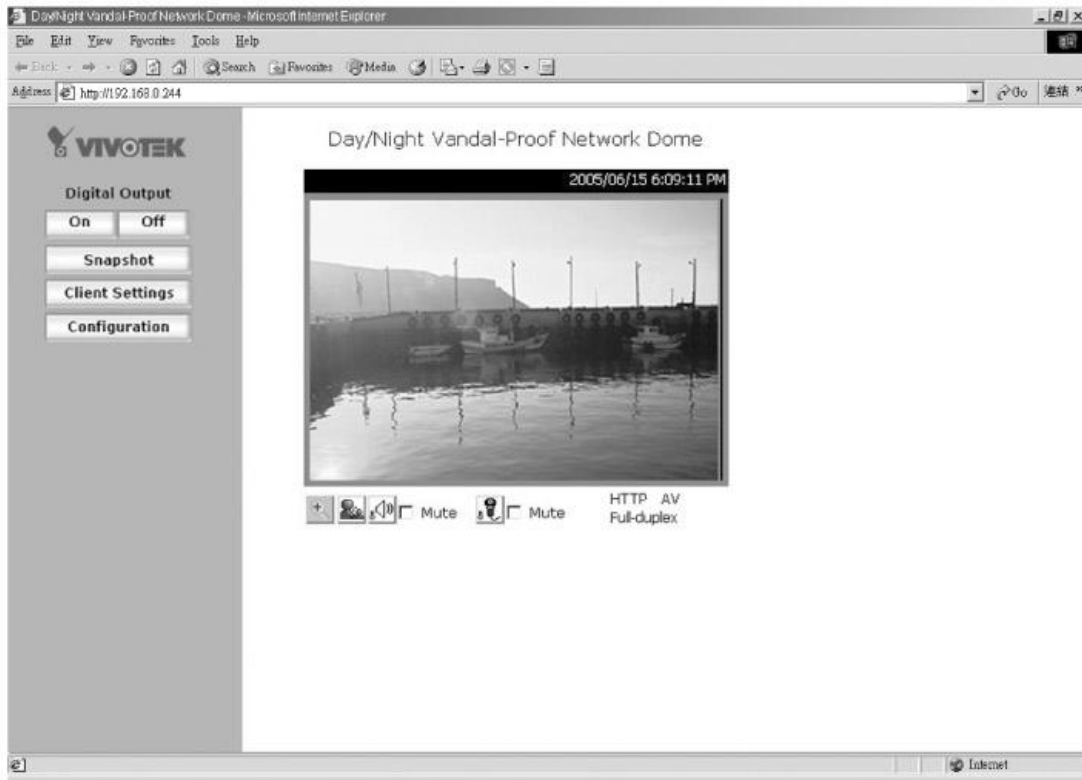


- 4.Click "Link to selected device(s)" to connect the Internet Explorer to the Network Camera.

* If there is no DHCP server on the LAN, please refer to the user's manual for the methods of assigning an IP address.

5

The Internet Explorer Connects to the Network Camera



For further setup, please check the user's manual on the software CD.