



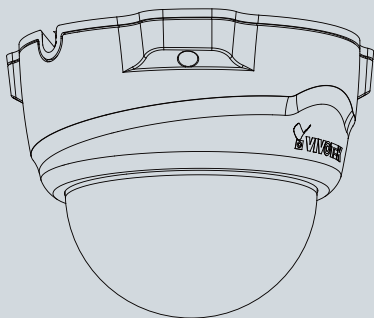
FD8133V/8134V Fixed Dome  
Network Camera

# Quick Installation Guide

English | 繁體中文 | 簡體中文 | 日本語 | Français | Español | Deutsch | Português | Italiano | Türkçe | Polski | Русский | Česky | Svenska | العربية

FD8133V: 3-axis • ePTZ

FD8134V: IR Illuminators





## Warning Before Installation

- Power off the Network Camera as soon as smoke or unusual odors are detected.
- Keep the Network Camera away from water. If the Network Camera becomes wet, power off immediately.

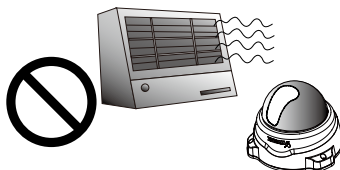
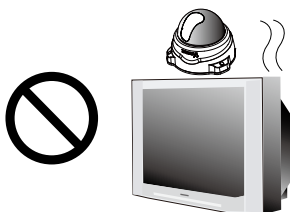


Contact your distributor in the event of occurrence.

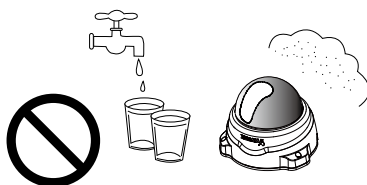
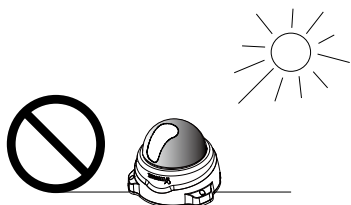


Contact your distributor in the event of occurrence.

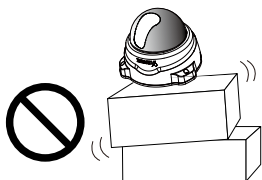
- Do not place the Network Camera around heat sources, such as a television or oven.
- Refer to your user's manual for the operating temperature.



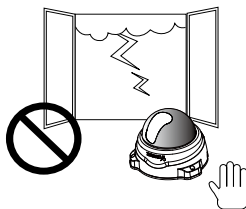
- Keep the Network Camera away from direct sunlight.
- Do not place the Network Camera in high humidity environments.



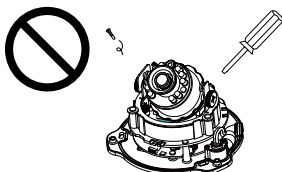
● Do not place the Network Camera on unsteady surfaces.



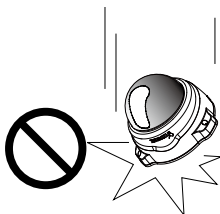
● Do not touch the Network Camera during a lightning storm.



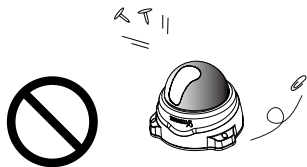
● Do not disassemble the Network Camera.



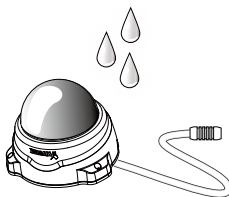
● Do not drop the Network Camera.



● Do not insert sharp or tiny objects into the Network Camera.

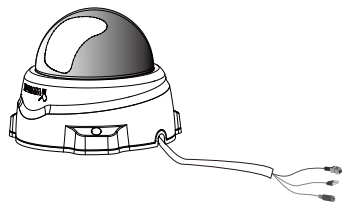


● Replacing or failing to properly install the waterproof components, e.g., cables or cable glands, will void our IP65/66/67 warranty.

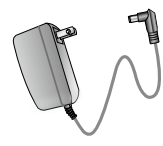


# 1 Package Contents

● FD8133V or FD8134V



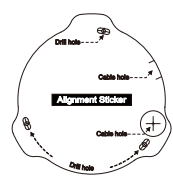
● Power Adapter



● Software CD



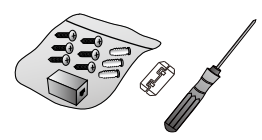
● Alignment Sticker



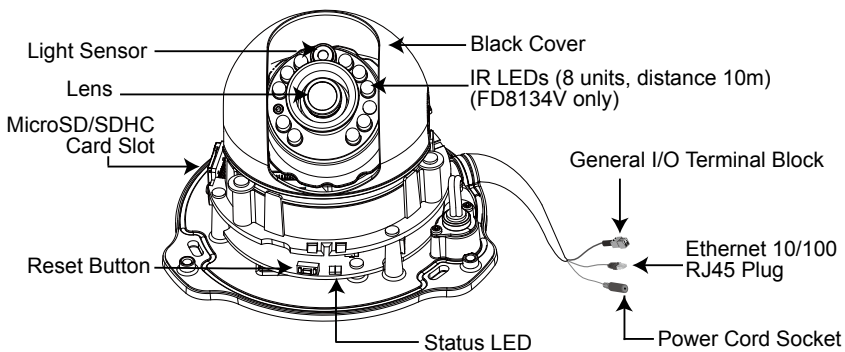
● Quick Installation Guide / Warranty Card



● RJ45 Female/Female Coupler / Screwdriver/ Screws / Clamp Core

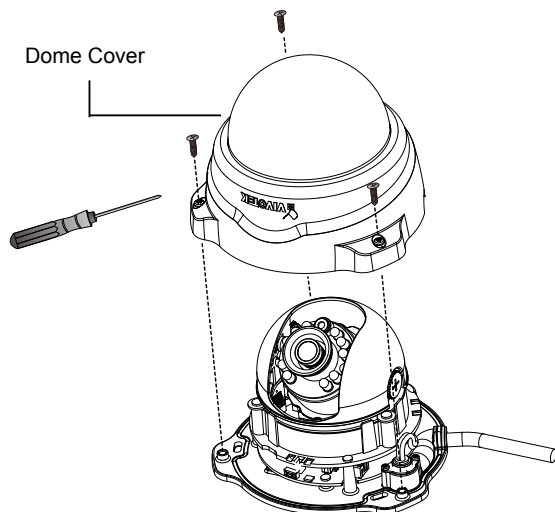


## 2 Physical Description



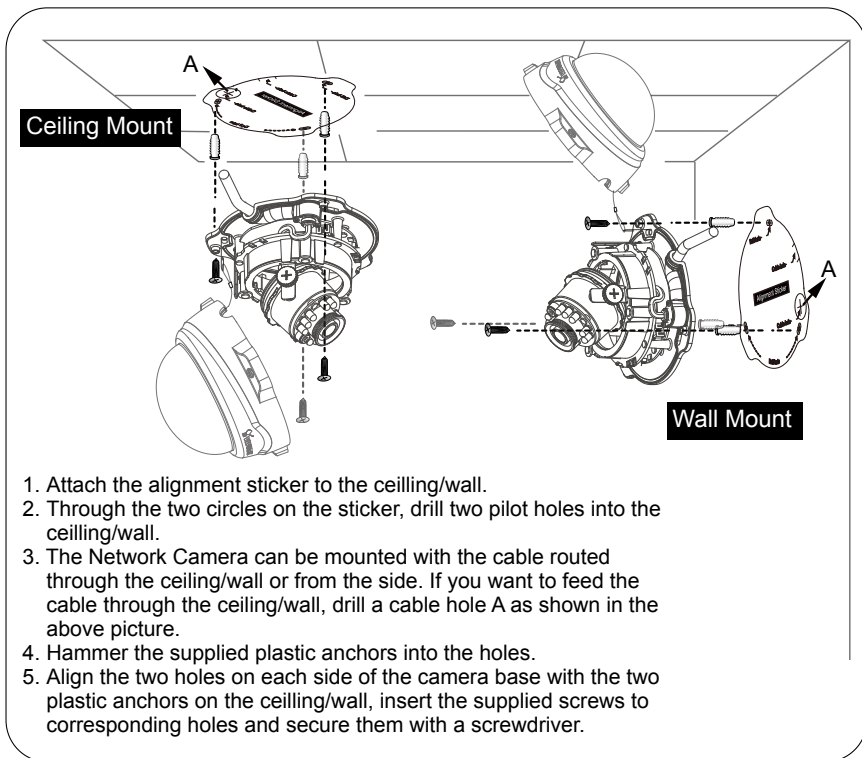
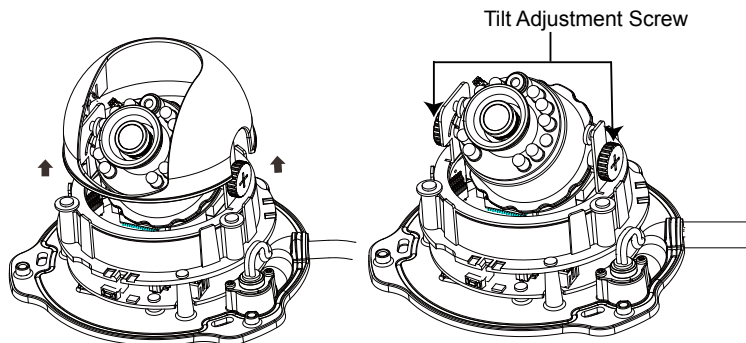
## 3 Hardware Installation

First, follow the instructions below to remove the dome cover.



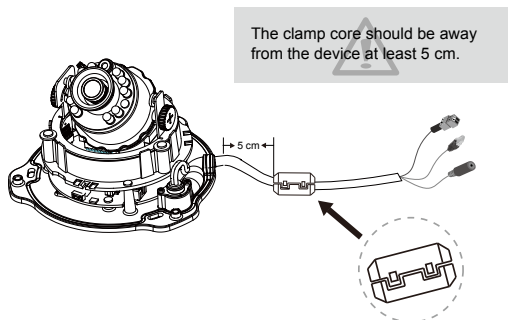
Record the MAC address before installing the camera.

Then remove the black cover as shown below.



1. Attach the alignment sticker to the ceiling/wall.
2. Through the two circles on the sticker, drill two pilot holes into the ceiling/wall.
3. The Network Camera can be mounted with the cable routed through the ceiling/wall or from the side. If you want to feed the cable through the ceiling/wall, drill a cable hole A as shown in the above picture.
4. Hammer the supplied plastic anchors into the holes.
5. Align the two holes on each side of the camera base with the two plastic anchors on the ceiling/wall, insert the supplied screws to corresponding holes and secure them with a screwdriver.

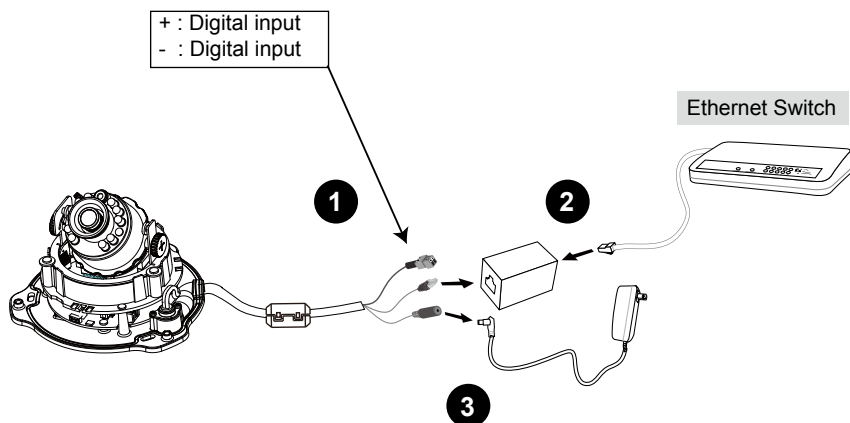
6. Buckle the supplied clamp core onto the cable to against the EMI radiation.



## 4 Network Deployment

### **General Connection (without PoE)**

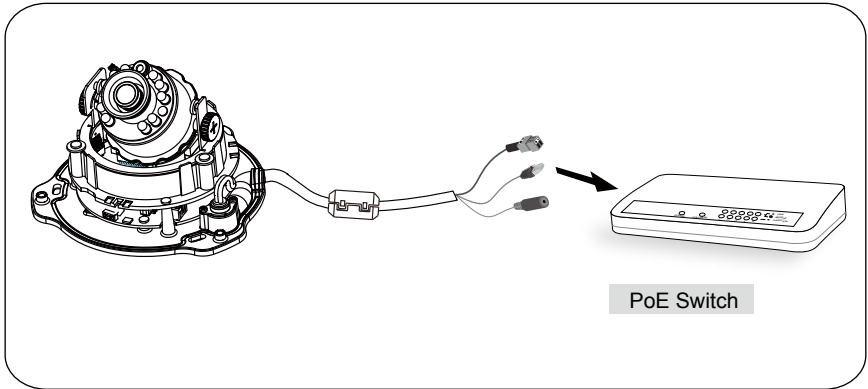
1. If you have external DI devices, make the connection from general I/O terminal block.
2. Use the supplied RJ45 female/female coupler to connect the Network Camera to a switch.
3. Use a Category 5 Cross Cable when Network Camera is directly connected to PC.
3. Connect the supplied power cable from the Network Camera to a power outlet.



## **Power over Ethernet (PoE) (FD8134V only)**

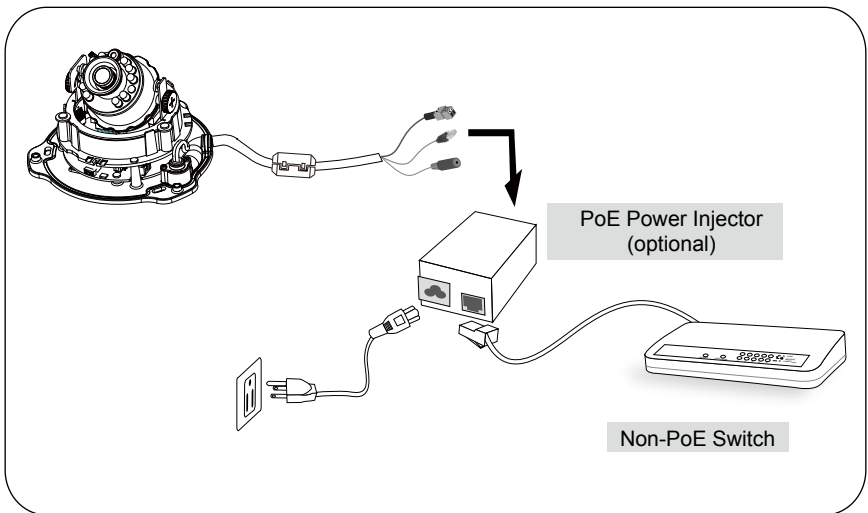
### ● **When using a PoE-enabled switch**

This Network Camera is PoE-compliant, allowing transmission of power and data via a single Ethernet cable. Follow the below illustration to connect the Network Camera to a PoE-enabled switch via Ethernet cable.



### ● **When using a non-PoE switch**

Use a PoE power injector (optional) to connect between the Network Camera and a non-PoE switch.



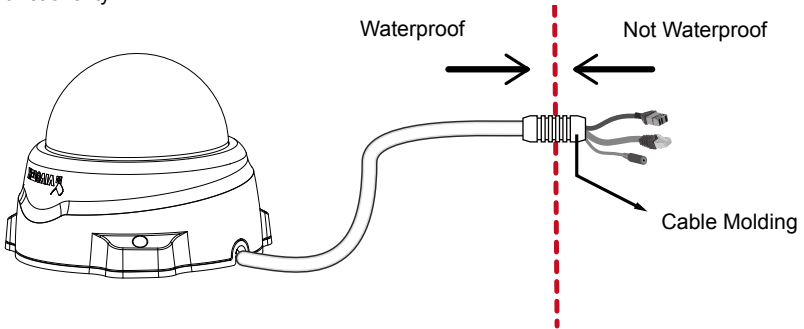




## IMPORTANT!

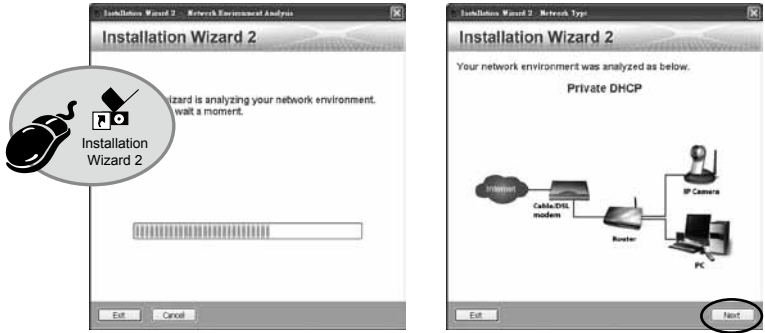
Although the camera and the cable gland on the camera's end are waterproof, the cable molding at the other end is not waterproof.

Measures should be taken to prevent water from leaking in through the cable-end molding, such as the use of expanding foam sealant, putties, and so on. Note that the cable gland on the camera should also be securely fastened to attain its waterproof functionality.



# 5 Assigning an IP Address

1. Install "Installation Wizard 2" from the Software Utility directory on the software CD.
2. The program will conduct an analysis of your network environment. After your network is analyzed, please click on the "Next" button to continue the program.



3. The program will search for VIVOTEK Video Receivers, Video Servers, and Network Cameras on the same LAN.
4. After searching, the main installer window will pop up. Click on the MAC that matches the one labeled on the bottom of your device to connect to the Network Camera via Internet Explorer.



## 6 Ready to Use

1. Access the Network Camera on the LAN.
2. Retrieve live video through a web browser or recording software.





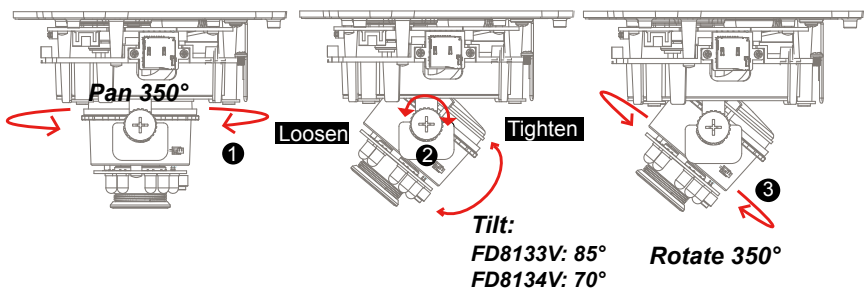
For further setup, please refer to the user's manual on the software CD.

# 7 Adjusting the Lens

Based on the live image retrieved from the camera, adjust the camera lens to the desired viewing angle:

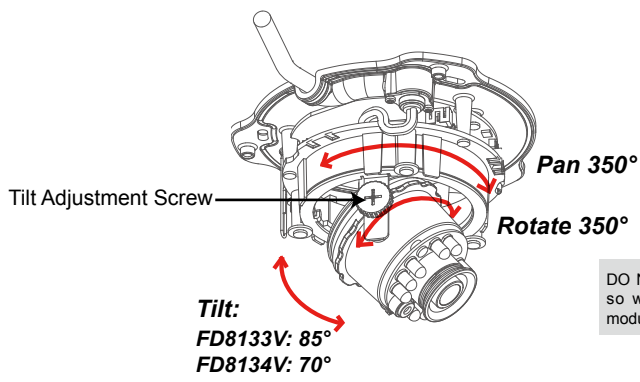
1. Turn the lens module left and right.
2. Loosen the tilt adjustment screws on both sides of the camera and then turn the lens module up and down. Upon completion, tighten the screws.
3. Turn the lens to adjust the image orientation.

 Rotate the screw  
 Turn the lens




## 3-axis Mechanism Design

The sophisticated 3-axis mechanism design offers very flexible, easy hardware installation for either ceiling or wall mount.



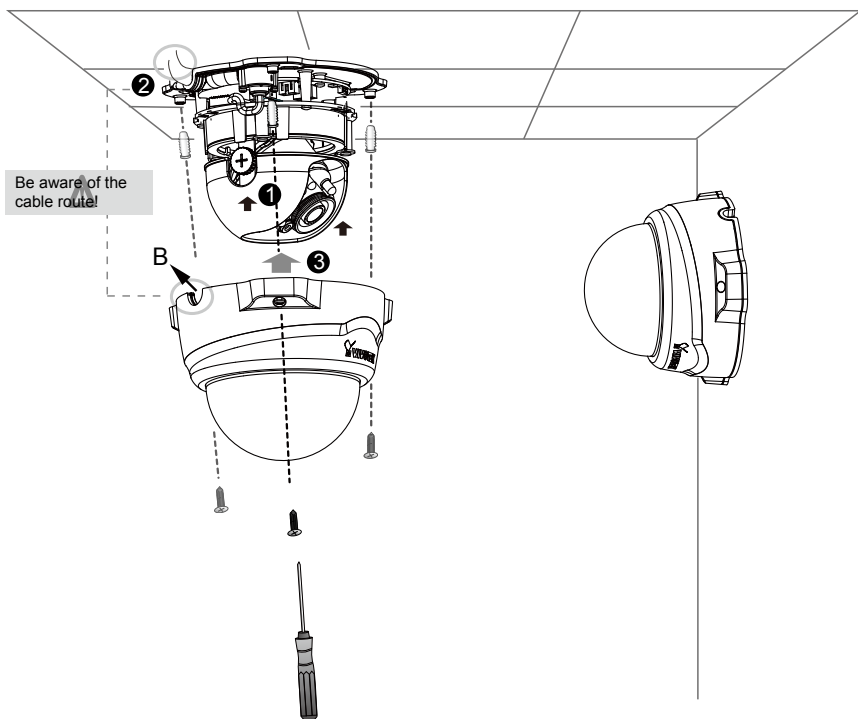
DO NOT over rotate the lens. Doing so will damage the camera lens module.



## 8

## Completion

1. Align the inner side of the black cover with the notch on both sides of the lens, fix the black cover.
2. If you choose to feed the cable through the ceiling/wall, arrange the cable neatly through the cable hole. If you choose to feed the cable from the side, remove plate B.
3. Attach the dome cover to the camera as the direction shown below. With idiot-proof mechanism design, the dome cover cannot be attached if the angle does not fit.
4. Finally, make sure all parts of the camera are securely installed.



P/N:625013703G Rev. 1.3

All specifications are subject to change without notice.  
Copyright © 2014 VIVOTEK INC. All rights reserved.



**VIVOTEK INC.**

6F, No.192, Lien-Cheng Rd., Chung-Ho, New Taipei City, 235, Taiwan, R.O.C.  
| T: +886-2-82455282 | F: +886-2-82455532 | E: sales@vivotek.com

**VIVOTEK Netherlands B.V.**

Busplein 36, 1315KV, Almere, The Netherlands  
| T: +31 (0)36 5389 149 | F: +31 (0)36 5389 111 | E: sales@vivotek.com

**VIVOTEK USA, INC.**

2050 Ringwood Avenue, San Jose, CA 95131  
| T: 408-773-8686 | F: 408-773-8298 | E: salesusa@vivotek.com