



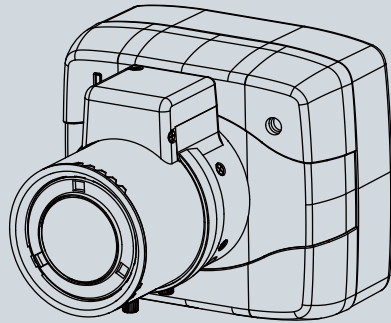
IP8173H Mini-box
Network Camera

Quick Installation Guide

English | 繁體中文 | 简体中文 | 日本語 | Français | Español | Deutsch | Português | Italiano | Türkçe | Polski | Русский | Česky | Svenska | Nederlands

Dansk | Indonesia | العربية

3MP • Compact Size • WDR Pro





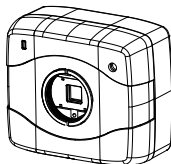
Warning Before Installation

- Power off the Network Camera as soon as smoke or unusual odors are detected.
- Do not place the Network Camera around heat sources, such as a television or oven.
- Keep the Network Camera away from direct sunlight.
- Do not place the Network Camera on unsteady surfaces.
- Do not disassemble the Network Camera.
- Keep the Network Camera away from water. If the Network Camera becomes wet, power off immediately.
- Refer to your user's manual for the operating temperature.
- Do not place the Network Camera in high humidity environments.
- Do not touch the Network Camera during a lightning storm.
- Do not drop the Network Camera.

1

Package Contents

- IP8173H



- CS-mount Lens



- Quick Installation Guide



- Camera Stand



- Software CD



- Warranty Card



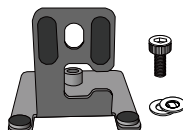
- L-type Hex Key Wrench



- Screws

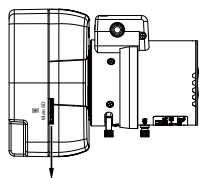
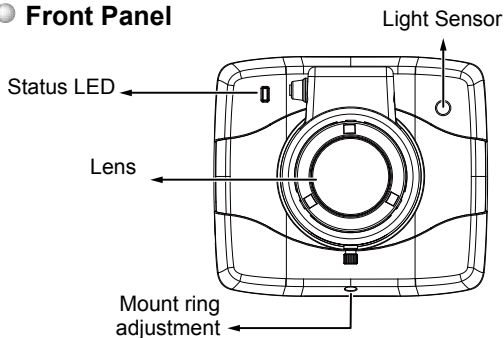


- Mount Bracket



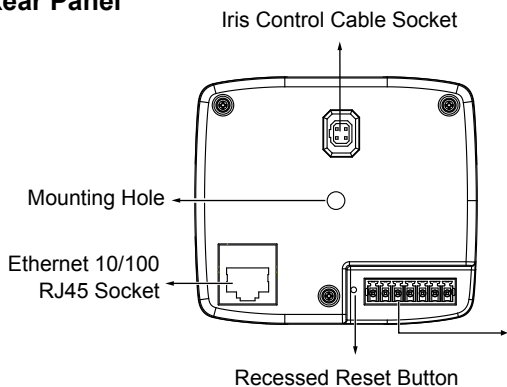
2 Physical Description

● Front Panel



MicroSD/SDHC/SDXC
Card Slot

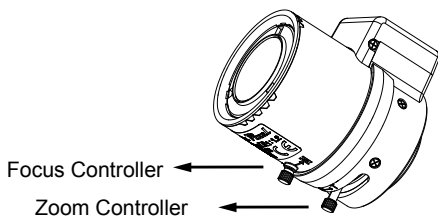
● Rear Panel



1	2	3	4	5	6	7
GND	DI	RS485_N	RS485_P	GND_AUDIO	MIC_IN	AUDIO_OUT

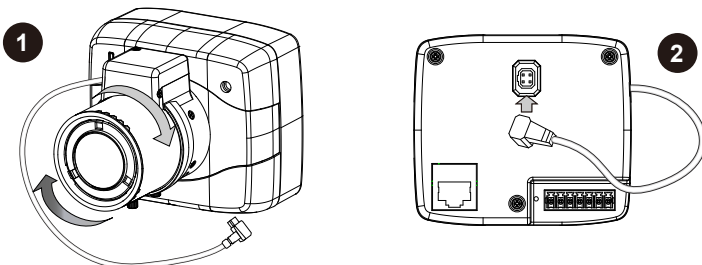
General I/O Terminal
Block

● Lens

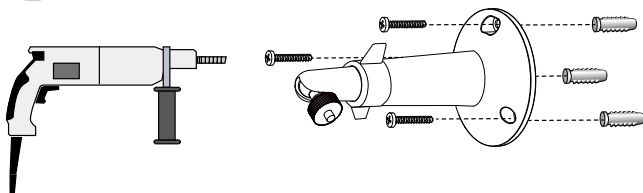


3 Mounting the Lens to the Camera

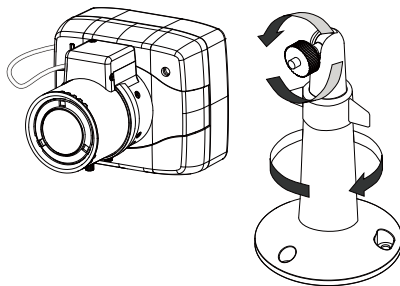
1. Mount the lens by turning it clockwise onto the camera mount until it stops.
2. Connect the iris control cable to the socket. **Connect the iris control cable before power-on. Otherwise, you will not be able to access the exposure related settings.**



4 Mounting the Camera to Stand



1. Use the holes on the camera stand to mark drill holes on the wall. Drill holes on your preferred location.
2. Hammer in the included plastic anchors.
3. Install the camera stand to wall or ceiling by driving screws through it.
4. Attach the camera to stand by turning the stand and the fastening rings.

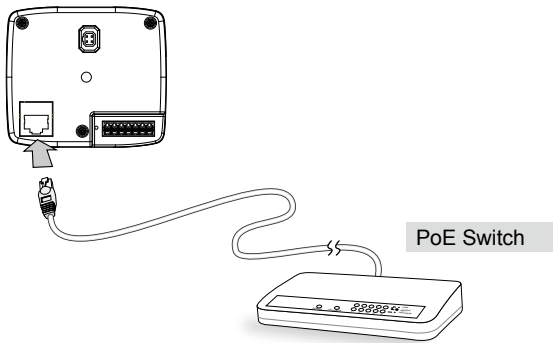


5 Network Deployment

Power over Ethernet (PoE)

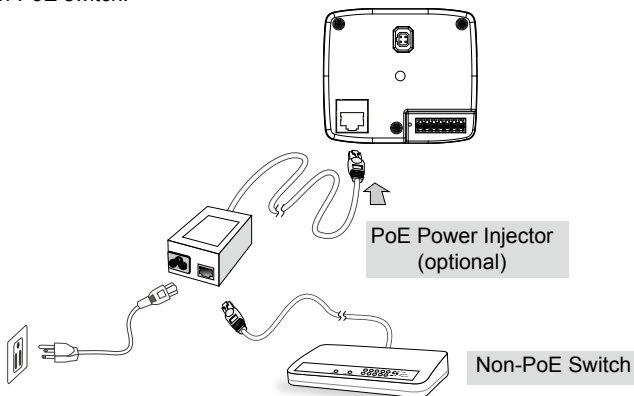
When using a PoE-enabled switch

The Network Camera is PoE-compliant, allowing transmission of power and data via a single Ethernet cable. Follow the below illustration to connect the Network Camera to a PoE-enabled switch via Ethernet cable.



When using a non-PoE switch

Use a PoE power injector (optional) to connect between the Network Camera and a non-PoE switch.



6 Assigning an IP Address

1. Install "Installation Wizard 2" from the Software Utility directory on the software CD.
2. The program will conduct an analysis of your network environment. After your network is analyzed, please click on the "Next" button to continue the program.
3. The program will search for VIVOTEK Video Receivers, Video Servers, and Network Cameras on the same LAN.
4. After a brief search, the main installer window will pop up. Double-click on the MAC address that matches the one printed on the camera label or the S/N number on the package box label to open a browser management session with the Network Camera.

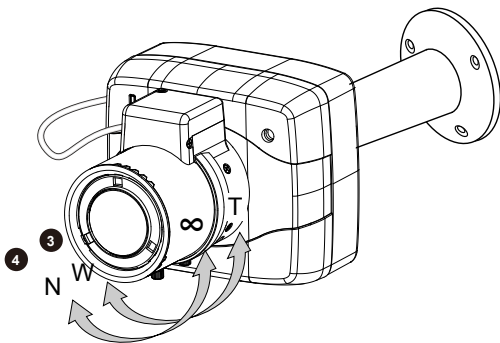
7 Ready to Use

1. A browser session with the Network Camera should prompt as shown below.
2. You should be able to see live video from your camera. You may also install the 32-channel recording software from the software CD in a deployment consisting of multiple cameras. For its installation details, please refer to its related documents.



For further setup, please refer to the user's manual on the software CD.

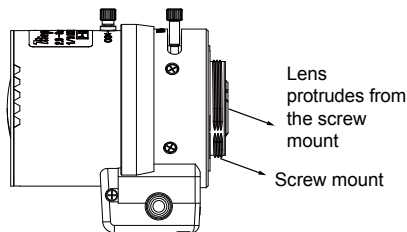
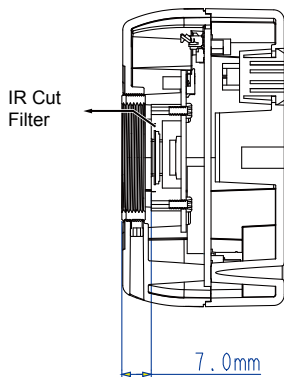
3. Unscrew the zoom controller to adjust the zoom factor. Upon completion, tighten the zoom controller.
4. Unscrew the focus controller to adjust the focus range. Upon completion, tighten the focus controller.



NOTE:

If you prefer other lens for your IP8173H, please notice the specifications below.

1. If you select a different lens, the distance between the flange of the lens and the IR cut filter on the camera should be smaller than 7.0mm. If the lens protrudes too much from the bottom of the lens module, it may hit the IR Cut Filter, or result in out of focus when adjusting the focus controller.
2. A vari-focal lens may protrude from the bottom of screw mount when tuning the focus puller.



3. Use the included hex wrench to make adjustments to CS-mount ring only when you experience compatibility issue with lens focal length.

Installed into Housing

1. Attach the bracket to the back of the camera by resting the foam pads on the top and to the back of the camera. Secure the bracket by driving a hex socket screw.



The camera can be installed into VIVOTEK's housings, such as the AE-211/-232/-233/-234/-235 series.

2. Attach the T-bracket and the camera to the camera bracket. Place the camera lens in the front as close as possible to the enclosure's tempered glass window. Secure the installation by tightening the hex socket screw on top.



P/N:625021901G Rev. 1.1

All specifications are subject to change without notice.
Copyright © 2013 VIVOTEK INC. All rights reserved.



VIVOTEK INC.

6F, No.192, Lien-Cheng Rd., Chung-Ho, New Taipei City, 235, Taiwan, R.O.C.
| T: +886-2-82455282 | F: +886-2-82455532 | E: sales@vivotek.com

VIVOTEK Netherlands B.V.

Busplein 36, 1315KV, Almere, The Netherlands
| T: +31 (0)36 5389 149 | F: +31 (0)36 5389 111 | E: saleseurope@vivotek.com

VIVOTEK USA, INC.

2050 Ringwood Avenue, San Jose, CA 95131
| T: 408-773-8686 | F: 408-773-8298 | E: salesusa@vivotek.com