

Quick Installation Guide

English | 繁體中文 | 簡體中文 | 日本語 | Français | Español | Deutsch | Português | Italiano | Türkçe | Polski | Русский | Česky | Svenska | العربية

SD8111/SD8121

**Network
Camera**

H.264 · 12x Zoom · Day&Night · 3D Noise Reduction





Warning Before Installation

- Power off the Network Camera as soon as smoke or unusual odors are detected.
- Keep the Network Camera away from water. If the Network Camera becomes wet, power off immediately.

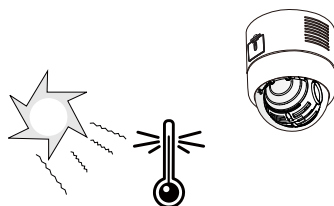
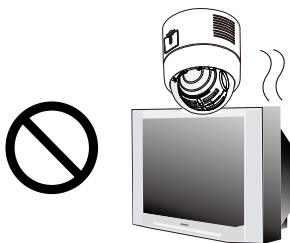


Contact your distributor in the event of occurrence.

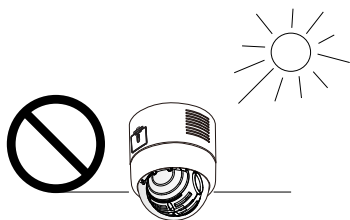


Contact your distributor in the event of occurrence.

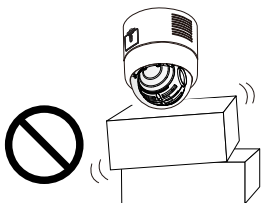
- Do not place the Network Camera around heat sources, such as a television or oven.
- Refer to your user's manual for the operating temperature.



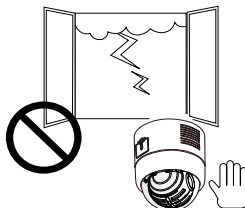
- Keep the Network Camera away from direct sunlight.
- Do not place the Network Camera in high humidity environments.



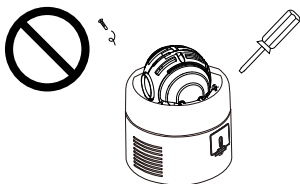
● Do not place the Network Camera on unsteady surfaces.



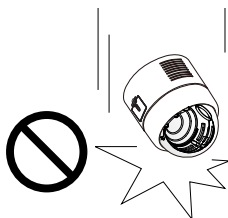
● Do not touch the Network Camera during a lightning storm.



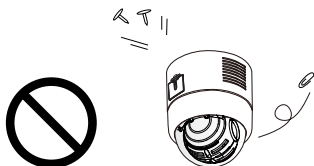
● Do not disassemble the Network Camera.



● Do not drop the Network Camera.

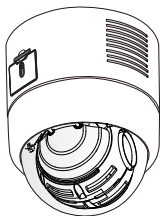


● Do not insert sharp or tiny objects into the Network Camera.

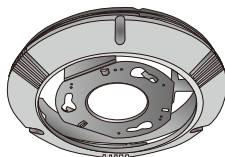


1 Package Contents

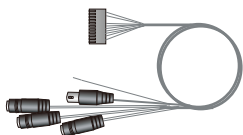
● SD8111 / SD8121



● Hard Ceiling Mount Bracket and Decoration Ring



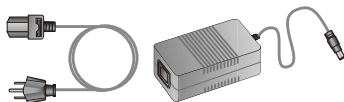
● Cable Connector (Power, Video Out, Mic In, Audio Out, Ground)



● DI/DO Cable Connector



● Power Adaptor



● Fixing Plate



● Quick Installation Guide / Warranty Card

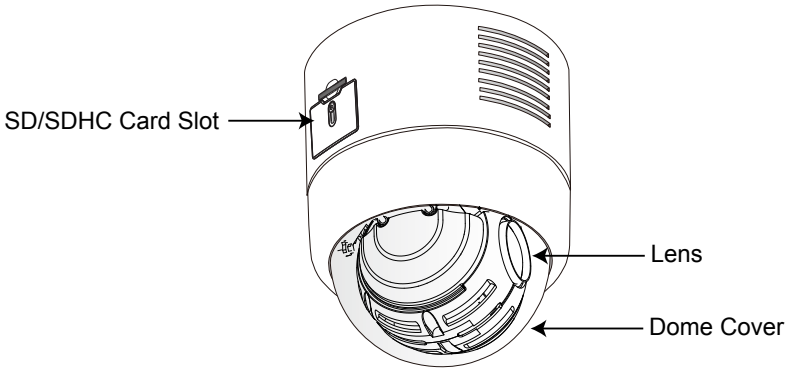


● Software CD

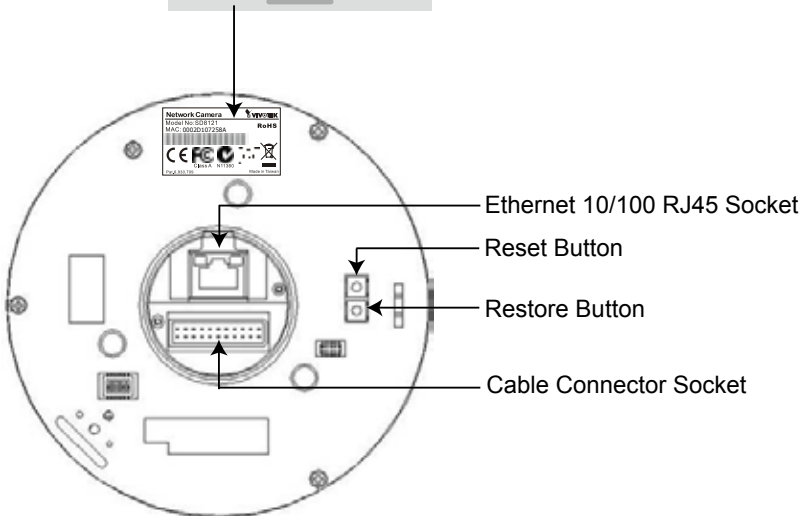


2

Physical Description

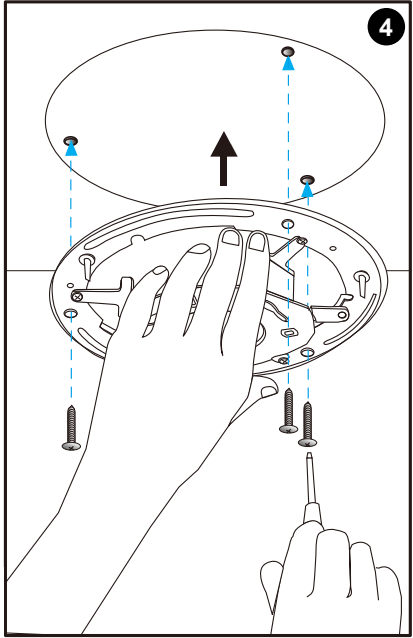
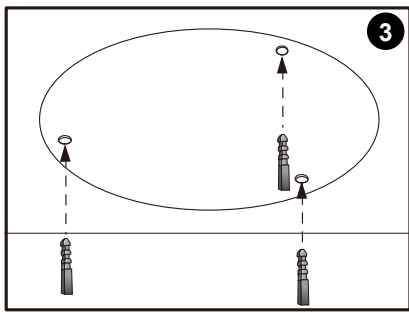
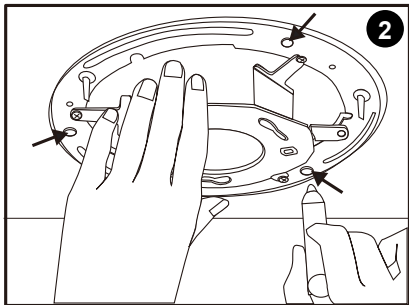
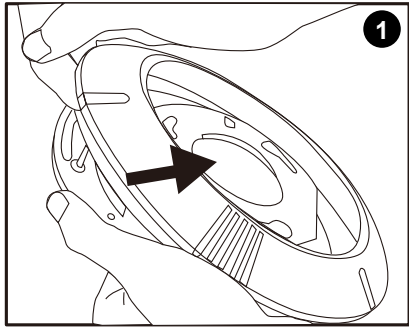


Record the MAC address before installing the camera.

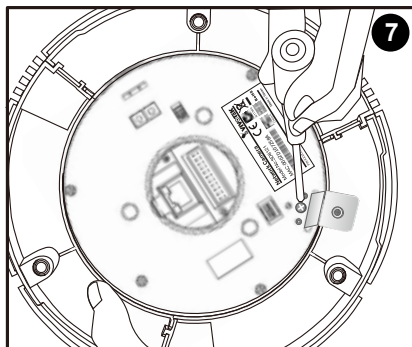
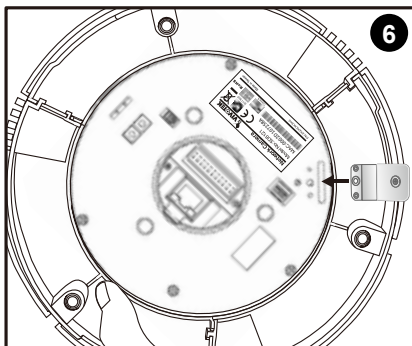
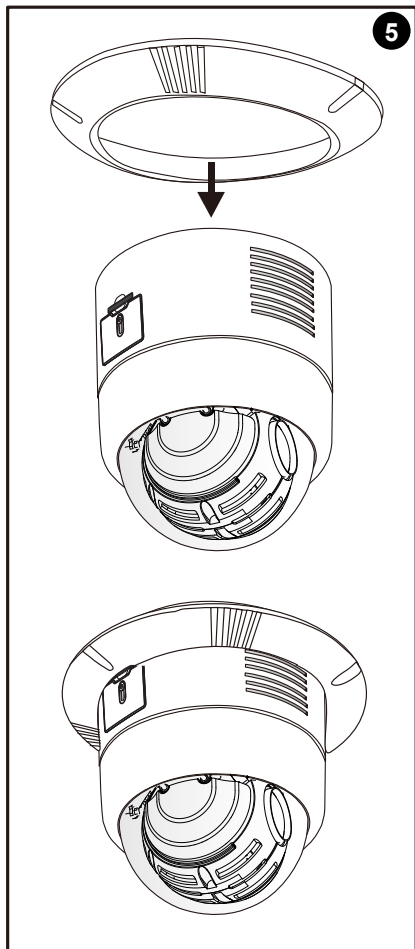


3 Hardware Installation

- Follow the steps below to install the Network Camera to the ceiling:
1. Detach the Decoration Ring from the Hard Ceiling Mount Bracket.
 2. Align the three holes on the Mount Bracket, mark the screws locations on the ceiling.
 3. Drill three pilot holes into the ceiling and hammer the plastic anchors into the holes.
 4. Fix the Mount Bracket with three screws.

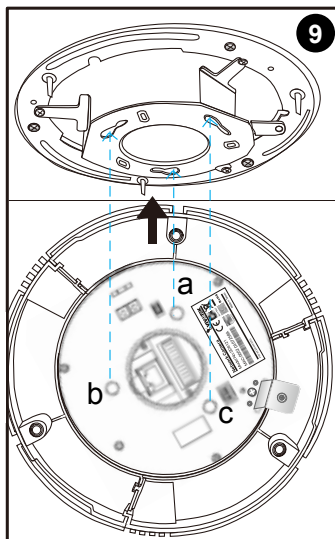
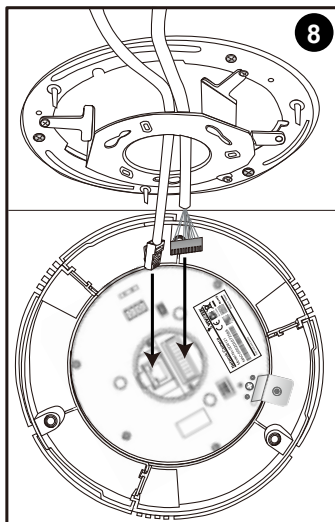
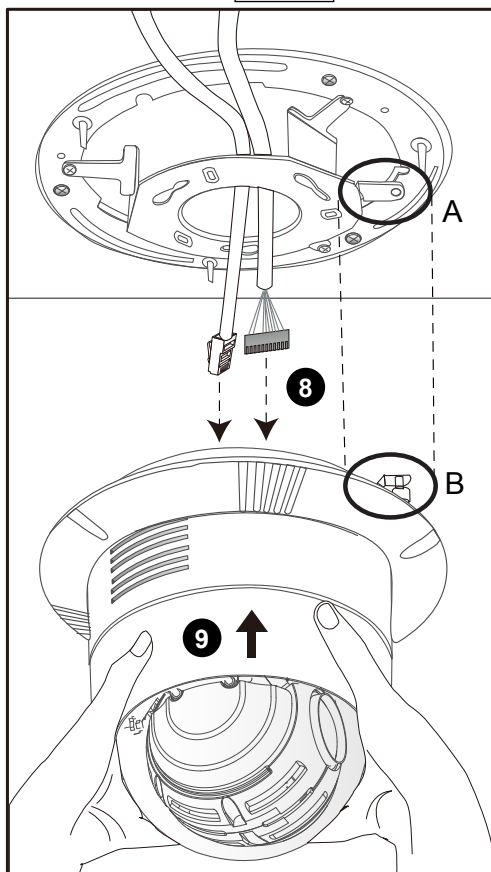
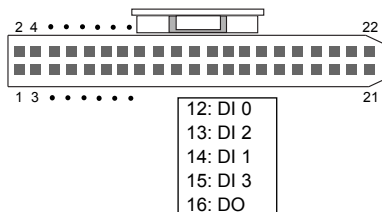


5. Put the decoration ring onto the dome body.
6. Insert the fixing plate into the groove as shown below.
7. Align the three holes to screw the fixing plate to the dome base.

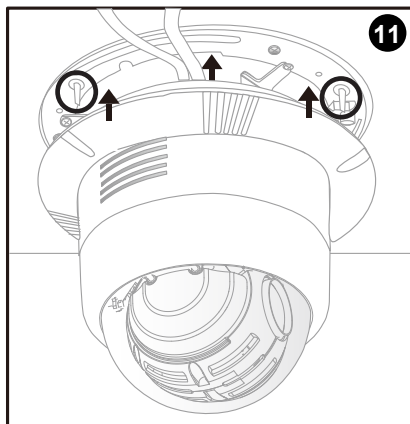
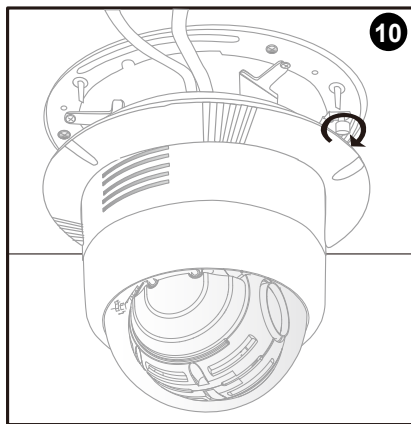


8. If you have external devices such as sensors and alarms, connect them to the general I/O terminal block. Then connect the cable connector and Ethernet cable to the dome base.
9. Align plate A and plate B, use hole a ~ c to hook the Network Camera on the ceiling mount bracket.

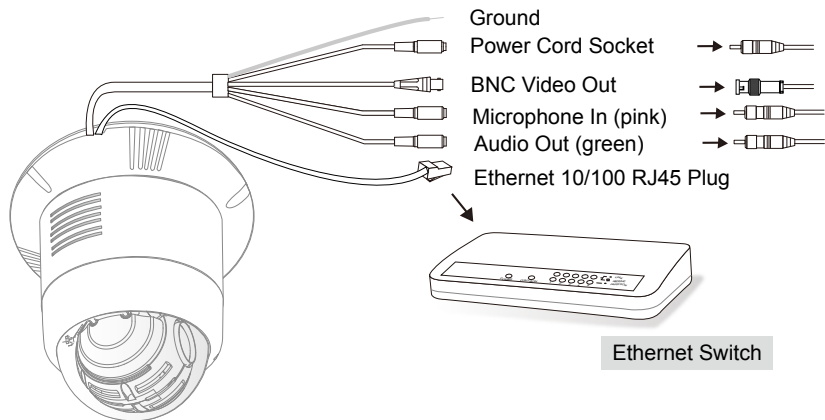
Pin Definitions of Cable Connector



10. Tighten the screw on the fixing plate.
11. Align the three holes to mount the decoration ring.



12. Connect the cables and make the network deployment.



4 Assigning an IP Address

1. Install "Installation Wizard 2" from the Software Utility directory on the software CD.
2. The program will conduct an analysis of your network environment. After your network is analyzed, please click on the "Next" button to continue the program.

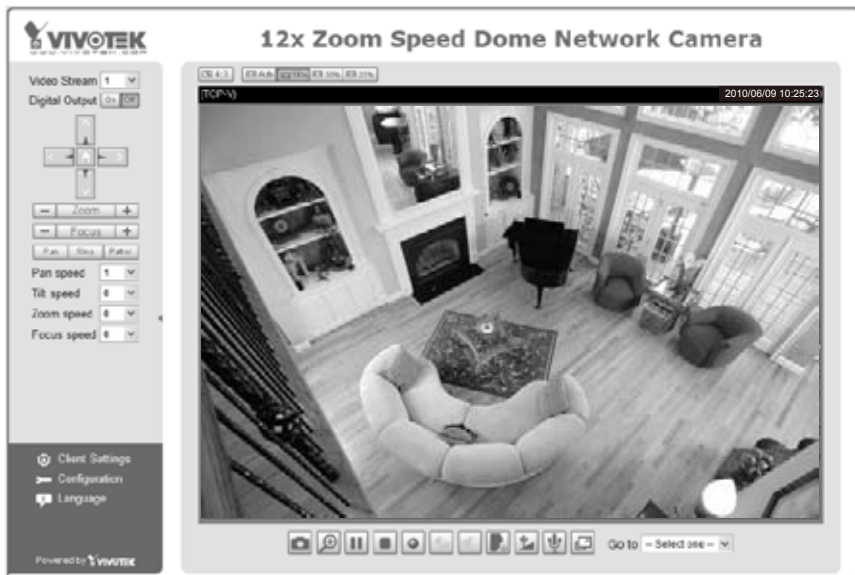


3. The program will search for VIVOTEK Video Receivers, Video Servers, and Network Cameras on the same LAN.
4. After searching, the main installer window will pop up. Click on the MAC that matches the one labeled on the bottom of your device to connect to the Network Camera via Internet Explorer.



5 Ready to Use

1. Access the Network Camera on the LAN.
2. Retrieve live video through a web browser or recording software.



For further setup, please refer to the user's manual on the software CD.

