

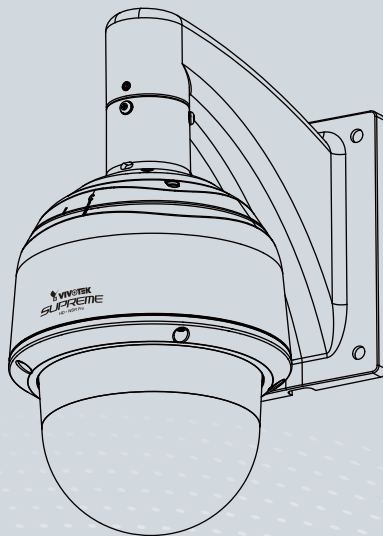


SD8333E/-M Speed Dome
Network Camera

Quick Installation Guide

English | 繁體中文 | 簡體中文 | 日本語 | Français | Español | Deutsch | Português | Italiano | Türkçe | Polski | Русский | Česky | Svenska | Nederlands
Dansk | Indonesia | العربية

720P • 30x Zoom • NEMA 4x • IP67 • Extreme Weatherproof



SUPREME



Warning Before Installation

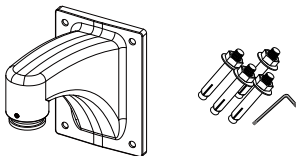
- Power off the Network Camera as soon as smoke or unusual odors are detected.
- Do not disassemble the Network Camera.
- Do not insert sharp or tiny objects into the Network Camera.
- Do not manually pan and tilt the Network Camera when the power is on.
- Refer to your user's manual for the operating temperature.
- Do not touch the Network Camera during a lightning storm.
- Do not drop the Network Camera.

1 Package Contents

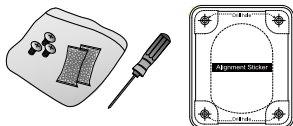
- SD8333E/-M (with extended cables)



- Wall Mount Bracket / Screws



- Screws / Alignment Sticker / T25 Stardriver / Desiccant Bags (SD8333E)



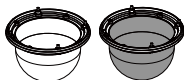
- Ground Wire



- Quick Installation Guide



- PC/ABS / Smoked Dome Cover
Optional and separately purchased



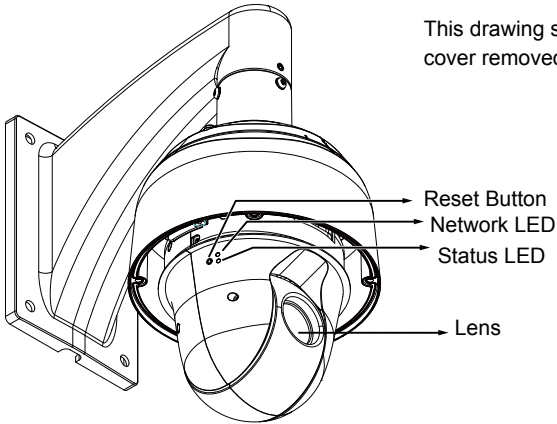
- Software CD



2

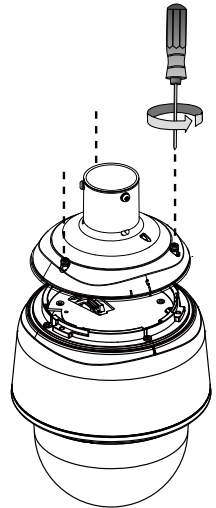
Physical Description

Outer View

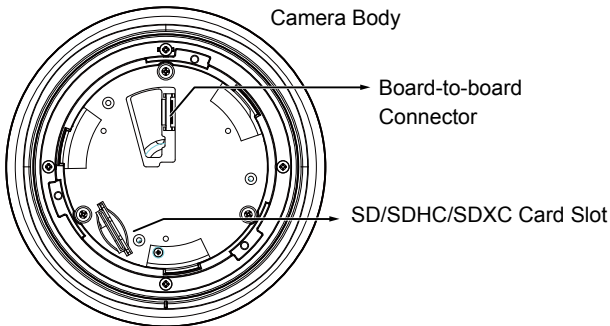


This drawing shows a camera with its dome cover removed.

The SD card slot is accessed by removing the top section using the T25 stardriver.



Inner View



3 Hardware Installation



IMPORTANT:

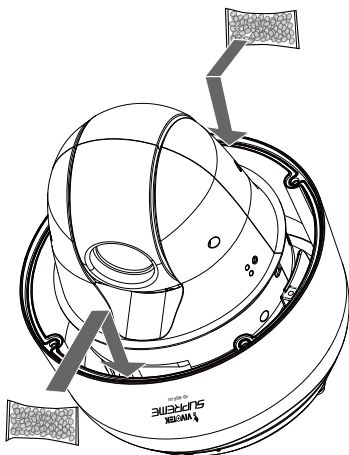
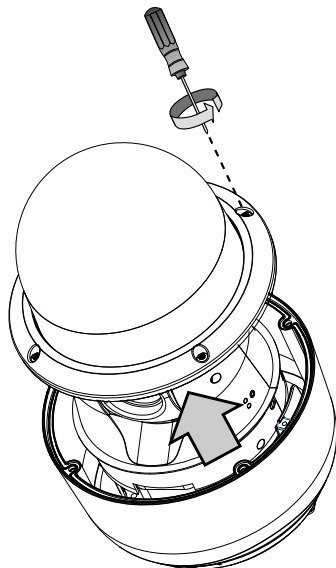
If your camera comes without the dehumidifier, you should examine whether the color of the silica gel inside the chassis has turned red. If so, you should replace the desiccant bag.

To replace the desiccant bags:

1. Remove the dome cover by loosening 4 T25 anti-tamper screws.
2. Replace the desiccant bags by attaching them firmly to the inside of the chassis.
3. Re-install the dome cover.

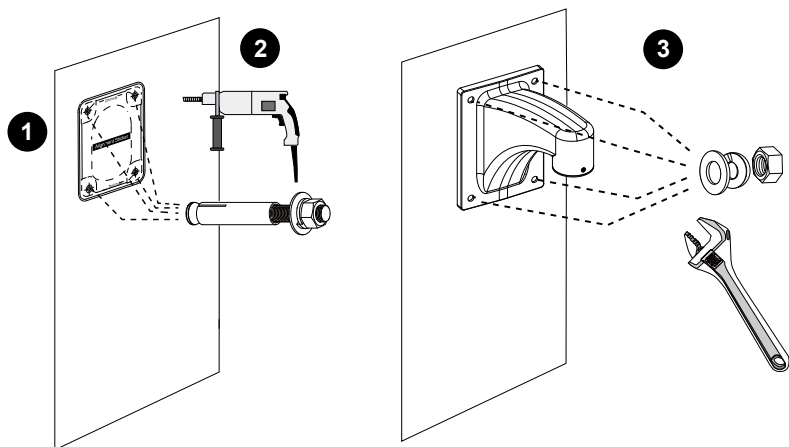
Also note the following:

1. Do not install the camera in a raining day.
2. It takes approximately 2 days to suppress the moisture level to 30% or lower, either using the desiccant bags or the dehumidifier.
3. Condensation may still be observed from on the dome cover within 30 minutes.



3-1. Install the Wall-mount Bracket

1. The camera weighs 3.66kg. Select a rigid mounting location to prevent vibration to the camera. Attach the alignment sticker to the wall.
2. Drill 4 pilot holes (10mm in diameter and 4cm deep) into the wall, and then hammer in threaded anchors. Note that you should hammer the anchors with hex nuts on them so that the threaded poles will not be deformed! If preferred, drill another hole for routing cables.
3. Secure the wall mount bracket to wall using 4 sets of captive washers and nuts.

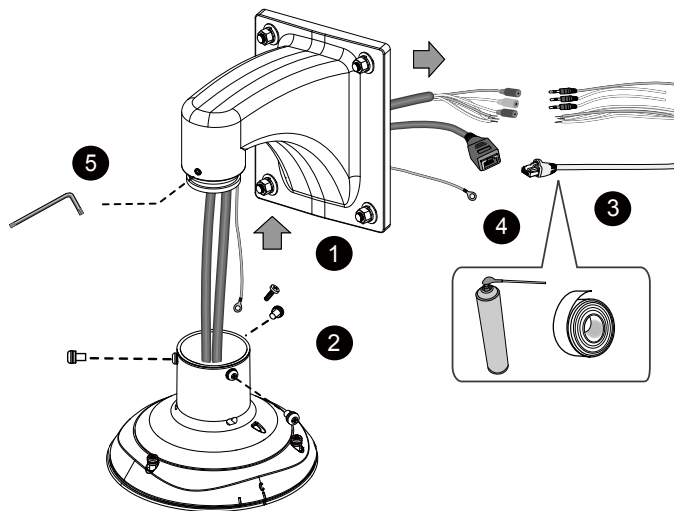


NOTE:

1. IO wires are user-supplied.
2. Avoid touching the circuit boards to prevent damage by electro static discharge.
3. Use CAT5e, CAT6 cables only.

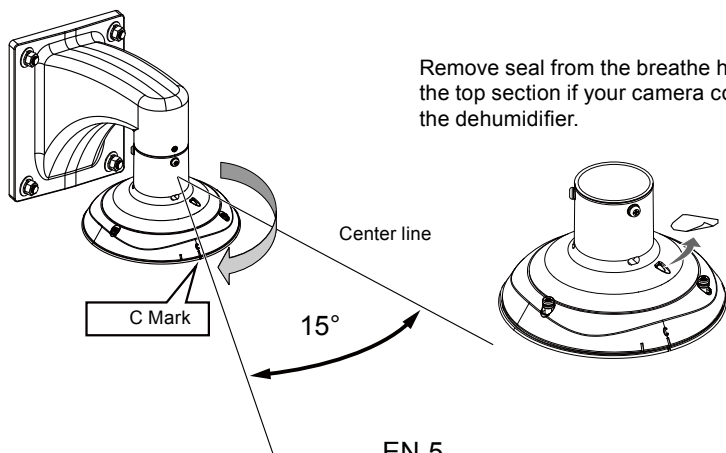
3-2. Cabling Connections & Attach the Top Section

1. Hold your top section with one hand and pass all cables through the wallmount bracket.



2. Secure the top section to the wall mount bracket.

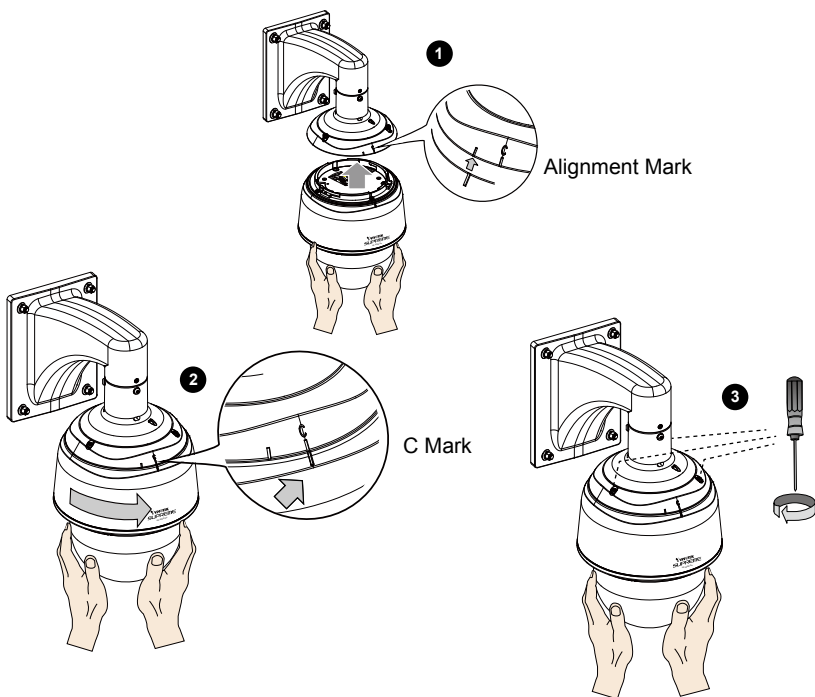
Note that you should turn and orient the top section so that the C mark is facing a direction 15 degrees off the center line.



3. Connect cables and use sealants and putties to make sure cable joints and the cabling hole are waterproof.
4. Secure the included ground wire to the dome cap, pass it through the mount bracket, and connect the other end to a grounded conduit later.
5. Use the included hex wrench to secure the top section.

3-3. Mounting the Camera

1. Align the camera body with the top section. Align the alignment mark on the camera with that on the interface section. Push the camera up to match the top section.
 2. Rotate the camera clockwise until its alignment mark is aligned with the "C" mark.
 3. Use the included T25 stardriver to tighten the 3 anti-tamper screws from the top.
- Make sure all parts have been securely tightened.

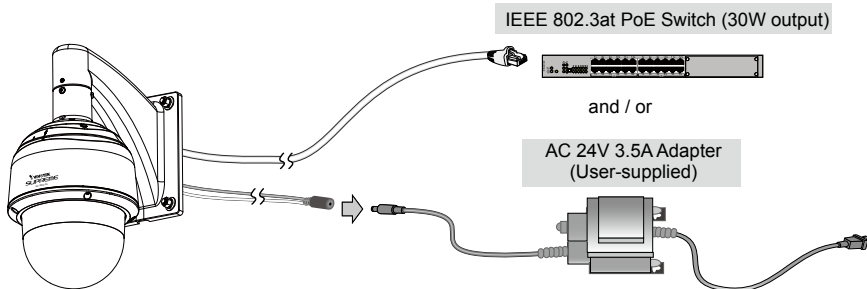


4

Network Deployment

General Connection

1. Connect the Network Camera's Ethernet cable (CAT5e, CAT6) to a PoE Plus switch. A 30W PoE output port alone can not drive the onboard heater, and hence if using the PoE switch alone, the application does not apply in low-temperature condition. The 30W PoE plus can only drive the camera when it is working at a temperature higher than -5°C .

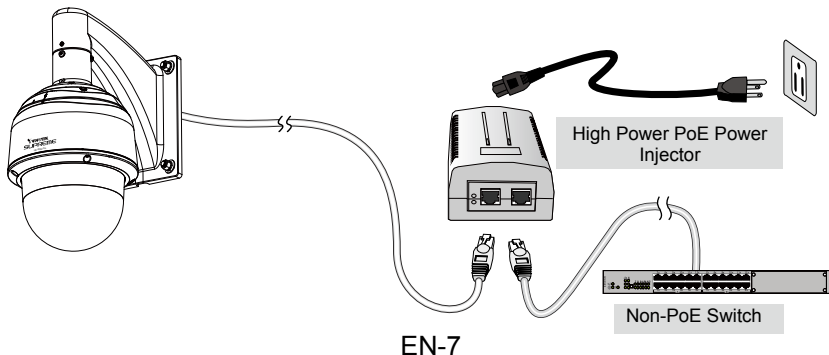


2. Connect the power wires to an AC 24V power adaptor (user-supplied). The AC 24V adaptor can drive the camera and the onboard heater.

You can connect both power sources for redundancy in power supply.

Power over Ethernet (High Power PoE)**When using a non-PoE switch**

Use a High Power PoE power injector (separately purchased) capable of 60W output to connect between the Network Camera and a non-PoE switch. Sufficient power is required for low temperature conditions when the onboard heater is activated.



5 Assigning IP Address

1. Install "Installation Wizard 2" from the Software Utility directory on the software CD.
2. The program will conduct an analysis of your network environment. After your network is analyzed, please click on the "Next" button to continue the program.
3. The program will search for VIVOTEK Video Receivers, Video Servers, and Network Cameras on the same LAN.
4. After a brief search, the main installer window will pop up. Double-click on the MAC address that matches the one printed on the camera label or the S/N number on the package box label to open a browser management session with the Network Camera.

6 Ready to Use

1. A browser session with the Network Camera should prompt as shown below.
2. You should be able to see live video from your camera. You may also install the 32-channel recording software from the software CD in a deployment consisting of multiple cameras. For its installation details, please refer to its related documents.



For further setup, please refer to the user's manual on the software CD.

HARDWARE LIMITED WARRANTY

What Is Covered: This warranty covers any hardware defects in materials or workmanship, with the exceptions stated below.

How Long Coverage Lasts: This warranty lasts for TWENTY-FOUR MONTHS from the date of purchase by the original end-user customer.

What Is Not Covered: This warranty does not cover cosmetic damage or any other damage or defect caused by abuse, misuse, neglect, use in violation of instructions, repair by an unauthorized third party, or an act of God. Also, if serial numbers have been altered, defaced, or removed. Further, consequential and incidental damages are not recoverable under this warranty.

What VIVOTEK Will Do: VIVOTEK will, in our sole discretion, repair or replace any product that proves to be defective in material or workmanship. Any repair or replaced part of the product will receive a THREE-MONTH warranty extension.

How To Get Service: Contact our authorized distributors in your region. Please check our website (www.vivotek.com) for the information of an authorized distributor near you.

Your Rights: SOME STATES DO NOT ALLOW EXCLUSION OR LIMITATION OF CONSEQUENTIAL OR INCIDENTAL DAMAGES, SO THE ABOVE EXCLUSION OR LIMITATION MAY NOT APPLY TO YOU. THIS WARRANTY GIVES YOU SPECIFIC LEGAL RIGHTS, AND YOU MAY ALSO HAVE OTHER RIGHTS WHICH VARY FROM STATE TO STATE.

VIVOTEK INC.

6F, No. 192, Lien-Cheng Rd., Chung-Ho,
Taipei County, Taiwan.
www.vivotek.com

-
1. Proof of the date of purchase is required. In the event you can not render such document, warranty will commence from the date of manufacture.
 2. Cosmetic damage will only be covered by this warranty if such damage has been existed at the time of purchase.

P/N:825026900G Rev.: 1.0

All specifications are subject to change without notice.
Copyright © 2014 VIVOTEK INC. All rights reserved.



VIVOTEK INC.

6F, No.192, Lien-Cheng Rd., Chung-Ho, New Taipei City, 235, Taiwan, R.O.C.
| T: +886-2-82455282 | F: +886-2-82455532 | E: sales@vivotek.com

VIVOTEK Netherlands B.V.

Busplein 36, 1315KV, Almere, The Netherlands
| T: +31 (0)36 5389 149 | F: +31 (0)36 5389 111 | E: saleseurope@vivotek.com

VIVOTEK USA, INC.

2050 Ringwood Avenue, San Jose, CA 95131
| T: 408-773-8686 | F: 408-773-8298 | E: salesusa@vivotek.com